

PRESTO[®]
loves water

100%
hand
washing
hygiene

Taps where hand
contact is not needed



**FRENCH SANITARYWARE
NO HAND CONTACT**

100%
hand
washing
hygiene

KNEE OPERATED FOOT OPERATED TAPS

PRESTO 712 KNEE OPERATED

31683

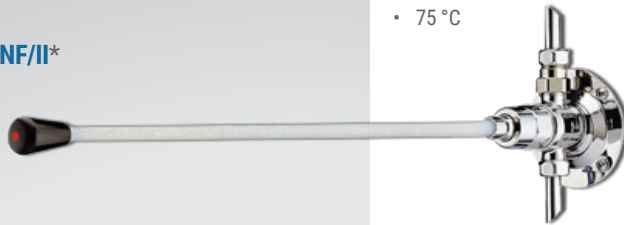
L1 = 390 mm - L2 = 340 mm - NF/II*

31919

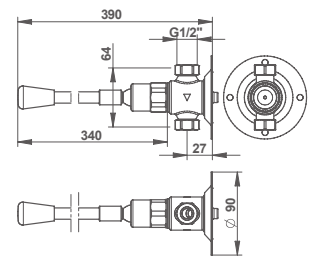
L1 = 490 mm - L2 = 440 mm

31646

L1 = 560 mm - L2 = 510 mm



- 6 l/min
- Ø 1/2"
- 15 s
- 75 °C



31683

PRESTO SOL 520 FOOT OPERATED - SINGLE PEDAL WALL OR FLOOR MOUNTED

23614

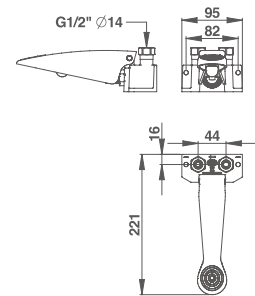
Cold or pre-mixed water - NF/II*

90524

Extension for PRESTO 520 and 530



- 6 l/min
- Ø 1/2"
- 3-5 s
- 75 °C



23614

PRESTO SOL 530 FOOT OPERATED - TWIN PEDAL WALL OR FLOOR MOUNTED

23644

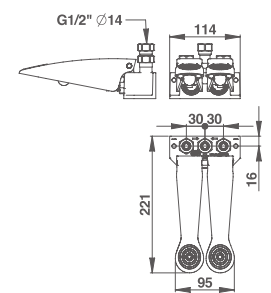
Cold or pre-mixed water - NF/II*

90524

Extension for PRESTO 520 and 530



- 6 l/min
- Ø 1/2"
- 3-5 s
- 75 °C



23614

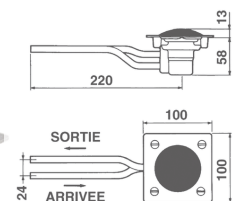
PRESTO SOL 509 FOOT OPERATED TO CONCEAL IN THE FLOOR

23100

Horizontal 8/10 mm supply and outlet tubes



- 15 l/min
- Ø 8/10 mm
- 3-5 s
- 75 °C





WALL MOUNTED SHORT SPOUT
WITHOUT WATER RETENTION WITH ROSETTE
AND FLOW-STRAIGHTENER

30901

For partitions 1 to 200 mm thick

30906

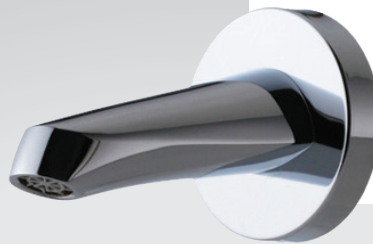
For partitions 200 to 300 mm thick

30903

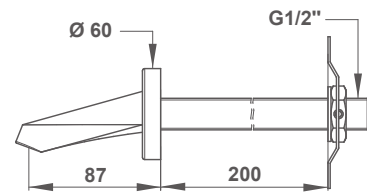
Female 1/2" inlet

30900

Male 1/2" inlet



- 6 l/min
- Ø 1/2"
- 75 °C



30901

WALL MOUNTED LONG SPOUT
WITHOUT WATER RETENTION WITH ROSETTE
AND VANDAL PROOF FLOW-STRAIGHTENER

30616

For partitions 1 to 200 mm thick

30625

For partitions 200 to 300 mm thick

30620

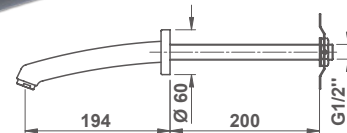
Female 1/2" inlet

30621

Male 1/2" inlet



- 6 l/min
- Ø 1/2"
- 75 °C



30616

Ø26 MM TUBE SPOUT

WITH ANTI-LIMESCALE AERATOR WITH FLOW LIMITER
AND ROSETTE

30311

Length L1 = 120 mm

Threaded end L2 = 50 mm

30313

Length L1 = 120 mm

Threaded end L2 = 230 mm

30315

Length L1 = 200 mm

Threaded end L2 = 50 mm

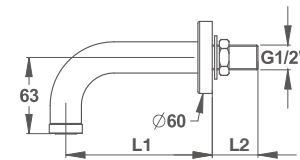
30317

Length L1 = 200 mm

Threaded end L2 = 230 mm



- 6 l/min
- Ø 26 mm
- 75 °C



30311

DECK MOUNTED SPOUT

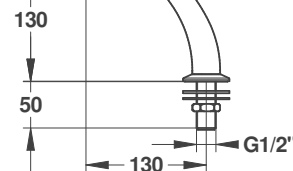
WITH 6 l/min AERATOR AND ROSETTE - 1/2" MALE INLET

30202

120° swivel spout

30302

Fixed spout



30302

100%
hand
washing
hygiene

ELBOW OPERATED MODUL'MIX

HEIGHT TO SPOUT 100 MM

CARTRIDGE Ø 40
(REF. 75312)

75126

Projection: 150 mm
NF "M"*

75128

Projection: 200 mm
NF "M"*

PB CARTRIDGE
(REF. 75313)

75127

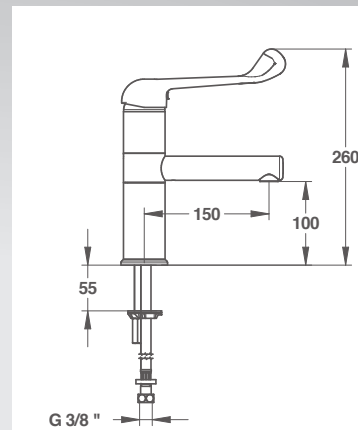
Projection: 150 mm

75178

Projection: 200 mm

75719

Projection: 250 mm



HEIGHT TO SPOUT 200 MM

CARTRIDGE Ø 40
(REF. 75312)

75131

Projection: 150 mm
NF "M"*

75135

Projection: 200 mm
NF "M"*

75138

Projection: 250 mm
NF "M"*

PB CARTRIDGE
(REF. 75313)

75132

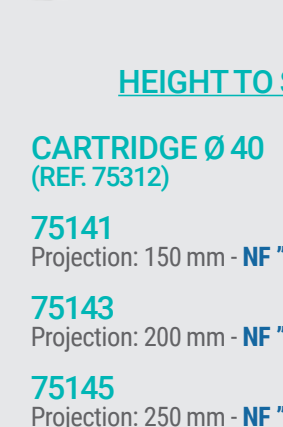
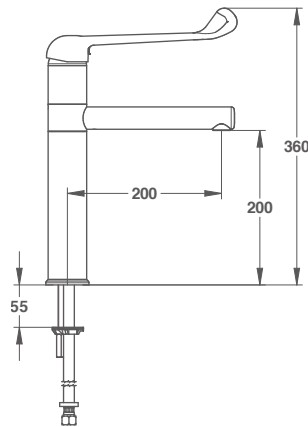
Projection: 150 mm

75136

Projection: 200 mm

75180

Projection: 250 mm



HEIGHT TO SPOUT 300 MM

CARTRIDGE Ø 40
(REF. 75312)

75141

Projection: 150 mm - **NF "M"***

75143

Projection: 200 mm - **NF "M"***

75145

Projection: 250 mm - **NF "M"***

PB CARTRIDGE
(REF. 75313)

75720

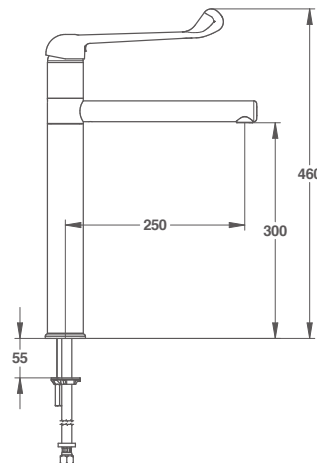
Projection: 150 mm

75434

Projection: 200 mm

75146

Projection: 250 mm



Modul'MiX®

SINGLE-HOLE REMOVABLE SMOOTH SPOUT

- Elbow operated
- Without waste
- SPEX hoses, M 10 x 1, EP G 3/8"
- Star flow-straightener, M 24 x 1
- Swivel or fixed spout
- Modular tap (multiple combinations possible)

SENSOR MIXER (CARTRIDGE Ø 40 - REF. 75312)

HEIGHT TO SPOUT 200 MM

POWER SUPPLY

75870

Projection: 150 mm

75871

Projection: 200 mm

75872

Projection: 250 mm

BUILT-IN BATTERY

75873

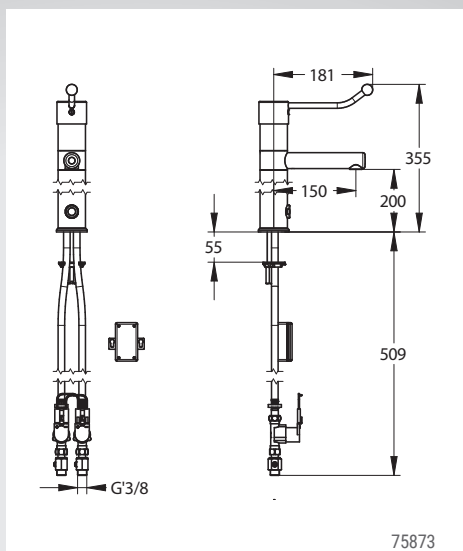
Projection: 150 mm

75874

Projection: 200 mm

75875

Projection: 250 mm



HEIGHT TO SPOUT 300 MM

POWER SUPPLY

75879

Projection: 150 mm

75880

Projection: 200 mm

75881

Projection: 250 mm

BUILT-IN BATTERY

75882

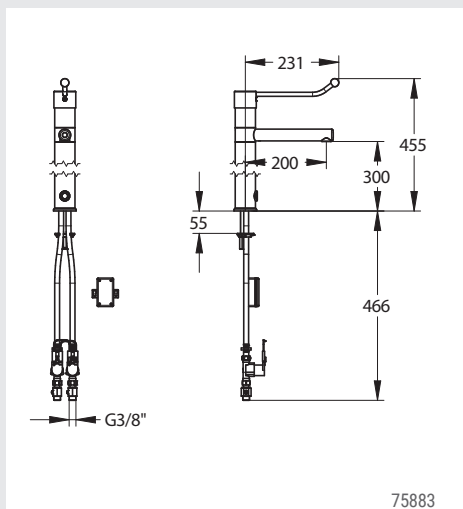
Projection: 150 mm

75883

Projection: 200 mm

75884

Projection: 250 mm



100%
hand
washing
hygiene

ELBOW OPERATED TAPS

SINGLE-HOLE WITH SWIVEL SMOOTH TUBULAR SPOUT

HEIGHT TO SPOUT 160 MM

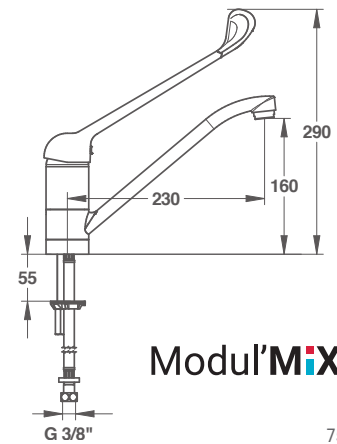
- Projection: 230 mm
- SPEX hoses, M 10 x 1, EP G 3/8", length 350 mm
- Star flow-straightener, M 24 x 1

75066

CARTRIDGE Ø 40 : 7531 2- NF "M"*

75067

PB CARTRIDGE : 75313

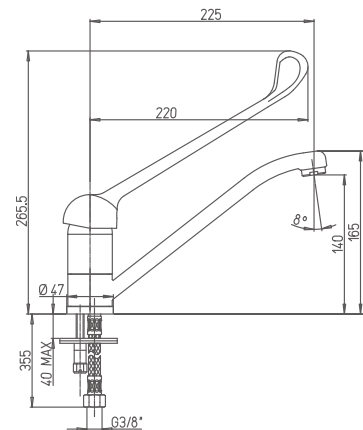


SINGLE-HOLE WITH SMOOTH TUBULAR SWIVEL SPOUT

HEIGHT TO SPOUT 140 MM

- Projection: 225 mm
- Cartridge Ø 40 mm: 75316
- SPEX hoses, M 12 x 1, EP G 3/8", length 350 mm
- Star flow-straightener, M 24 x 1

75637

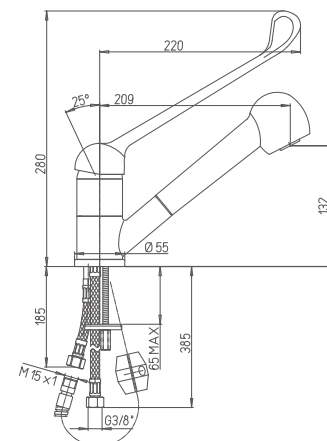


SINGLE-HOLE WITH SWIVEL SPOUT AND PULL-OUT SINK SPRAY

HEIGHT TO SPOUT 132 MM

- Projection: 209 mm
- Cartridge Ø 40 mm: 75316
- SPEX hoses, M 10 x 1, EP G 3/8", length 350 mm
- Star flow-straightener, M 24 x 1

75622





ELBOW OPERATED

MEDICAL FRENCH NORM NF 077-15 COMPLIANT

- Single-hole with fixed spout
- Height to spout 100mm
- Cartridge Ø35mm
- Smooth inside and outside tube

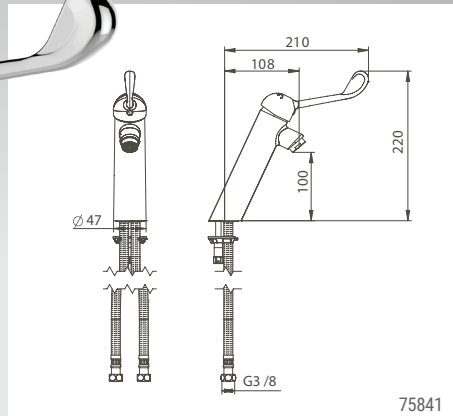
HoptiM'

75840

With drain
Cartridge: 75910

75841

Sans vidage
Cartridge: 75910



75841

ELBOW OPERATED

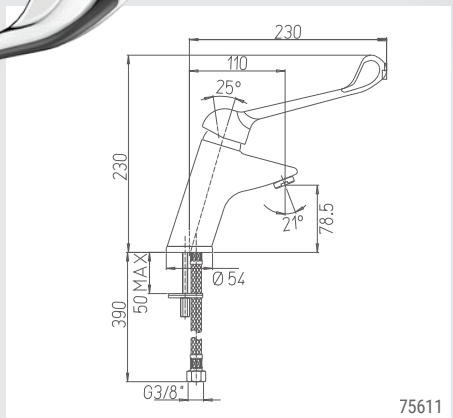
- Single-hole with fixed tall cast spout
- Height to spout 78.5mm
- Cartridge Ø40mm

75610

With drain

75611

Without drain



75611

ELBOW OPERATED

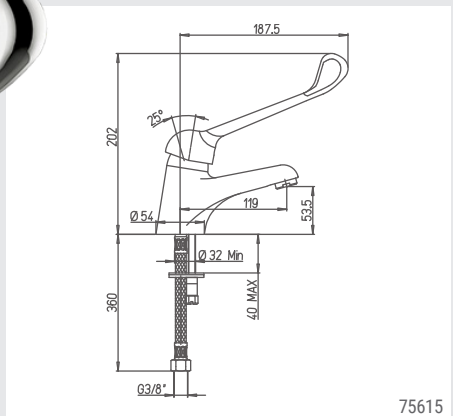
- Single-hole with fixed tall cast spout
- Height to spout 53.5mm
- Cartridge Ø40mm

75614

With drain

75615

Without drain



75615

100%
hand
washing
hygiene

ELBOW OPERATED TAPS

SINK MIXER TAP 150 MM SPAN WITH EXTRUDED SPOUT

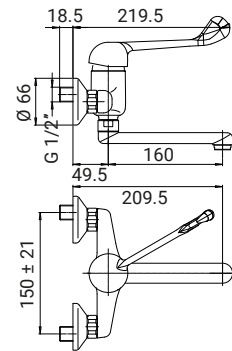
- Swivel spout
- Cartridge \varnothing 40 mm: 75312
- Supplied with wall plates and G 1/2" - G 3/4" offset connector
- G 3/4" captive nut
- Star flow-straightener, M 24 x 1

75723

projection: 160mm

75626

projection: 240mm

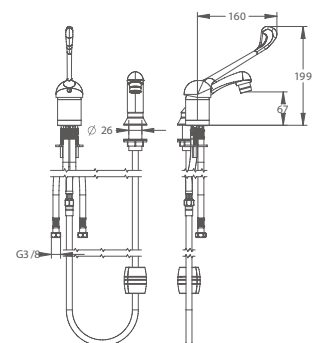


MIXER FOR REMOTE CONTROL

- Cartridge \varnothing 40 mm: 75316
- SPEX hoses, M 10 x 1, EP G 3/8", length 350 mm
- Sink spray outlet hoses, M 10 x 1, EP G 15/1"

75095

Mixer with offset "hairdresser" sink spray



ACCESSORIES

HAND-TOWEL DISPENSER

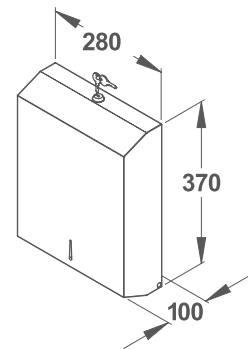
For Z or C-folded paper towels

60560

Steel model with epoxy finish

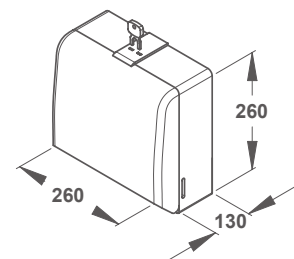
60559

Brushed stainless steel model



60558

ABS model



PEDAL BIN

60562

Bright polished stainless steel
5 litre model
D = 208 mm - H = 325 mm

60563

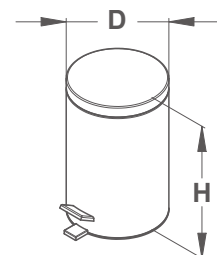
Bright polished stainless steel
12 litre model
D = 245 mm - H = 386 mm

60564

Bright polished stainless steel
28 litre model
D = 305 mm - H = 532 mm

60630

ABS
5 litre model
D = 230 mm - H = 310 mm



100%
hand
washing
hygiene

PRESTO[®]
loves water

100%
hand
washing
hygiene

Benefits of touchless
sensor taps



Ask for your leaflet
or read it online



FRENCH TOUCHLESS SENSOR SANITARYWARE

FIND OUT ABOUT OUR SENSOR SOLUTIONS

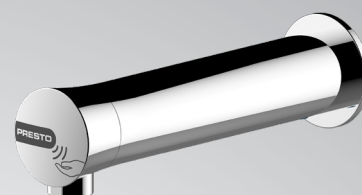


PRESTO NOVA
55391
Built-in battery
Straight stop valves



**NEO® SENSOR®
DECK MOUNTED**

57034
Deck-mounted single tap
Remote battery
PRESTOGREEN



**NEO® SENSOR®
WALL MOUNTED**

57036
Wall-mounted single tap
Remote battery
PRESTOGREEN



55387
Built-in battery
Straight stop valves

57050
Power supply
(transformer supplied)

57052
Power supply
(transformer supplied)

SO'O



56196
Deck-mounted mixer
Black finish
Pink gold top
Built-in battery
Straight stop valves

56198
Power supply

SOAP DISPENSERS



52043
Deck mounted soap
dispenser
With 1 liter bottle
Power supply



52042
Wall-mounted soap
dispenser



SENSAO® 8400 N
55370
Exposed sensor valve
In-line inlet
Built-in battery

55371
Right-angled inlet



PRESTO 7200 XL N
55434
Concealed flush valve
Stainless-steel front plate
Built-in battery

PRESTO 7100 XL N
55432
Power supply



PRESTO[®]
loves water

PRESTO water saving taps:
Almost 100 years of water saving
and hygiene in taps and shared
sanitary equipment, including 40
years of touchless sensor solutions!

But it's not just electronic sensor
faucets that don't require any
manual contact:

- Foot operated
- Knee operated
- Elbow operated faucets

are popular solutions in the industry,
cafes, restaurants, or healthcare
areas.



PRESTO



LES ROBINETS PRESTO S.A.

7, RUE RACINE
92542 MONTRouGE CEDEX - FRANCE

Tél. : +33 (0)1 46 12 34 56 | Fax : +33 (0)1 47 35 69 82

Email : adv.export@presto.fr

www.presto.fr | www.presto-group.com | www.prestobim.com

