

AQUA



Pool Circulation



INDEX	Page
1- SKIMMERS	74
2- LEVEL REGULATORS	78
3- MAIN DRAINS	79
4- MAIN DRAIN COVERS	82
5- NOZZLES	85
6- WALL CONDUITS	90

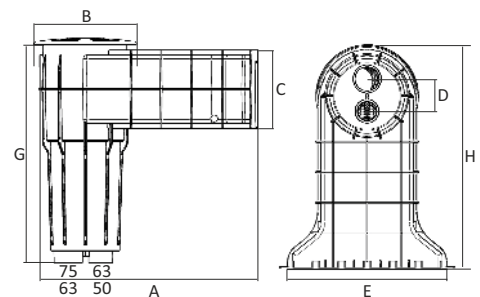
Pool Circulation

1- SKIMMERS

AQUA CLASSIC SKIMMERS



- ABS Skimmer with flared mouth moulded in one-piece without welds.
- Overflow line of clamp more advanced compared to traditional skimmer to increase the rapid and efficient suction.
- Supplied complete with square frame special lid with anti-removal system.
- Fittings D.50 - 63 -75 with shutter flap overflow system D.50.
- PP Basket, anti-noise clamp thread for pressure test, socket insert, screw in S.S. 316 for mod. Liner, in additional elegant flange cover.
- Can be installed in a prefabricated pools without sandwich gasket.
- Liter capacity 22.
- Flow rate: 9.82m³/h D.50 - 15.61m³/h D.63 - 22.08m³/h D.75
- In according with legislation UNI 13451.

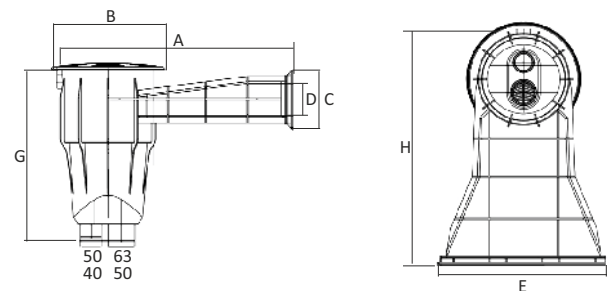


POOL	CODE	DIMENSIONS							PACKING WEIGHT VOLUME		
		A	B	C	D	E	G	H	kg	m ³	
Concrete	2002C0004	575	270	206	85	421	573	590	2	14	0.3
Liner	2002C0003	575	270	206	85	421	573	590	2	14	0.3

AQUA OVERFLOW STRAIGHT SKIMMER



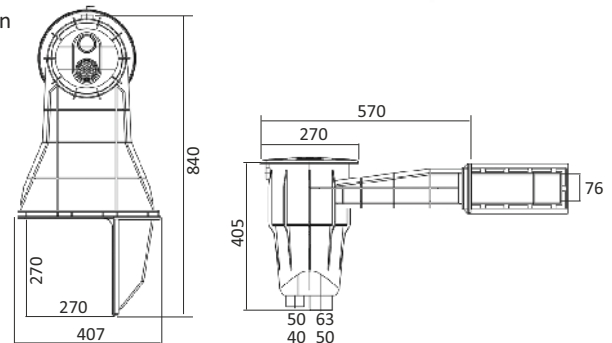
- ABS skimmer with exclusive flared flat mouth for to flow acceleration.
- Injected in one-block.
- Designed and built to increase the water's level up to few centimeters away from the top of the edge.
- Supplied completely with square frame special lid with anti-removal system.
- Fittings D.50 - 63 with shutter flap overflow system D.32x25mf.
- PP Basket, floating weir system thread for pressure test, socket insert, screw in S.S. 316 for mod. Liner, in additional elegant flange cover.
- Flow rate: 9.82m³/h D.50 - 15.61m³/h D.63.
- In according with legislation UNI 13451.



POOL	CODE	DIMENSIONS							PACKING WEIGHT VOLUME		
		A	B	C	D	E	G	H	kg	m ³	
Concrete	200200004	560	270	140	76	424	405	565	2	5	0.12
Liner	200200003	560	270	140	76	424	405	565	2	5	0.12

AQUA OVERFLOW CORNER SKIMMER

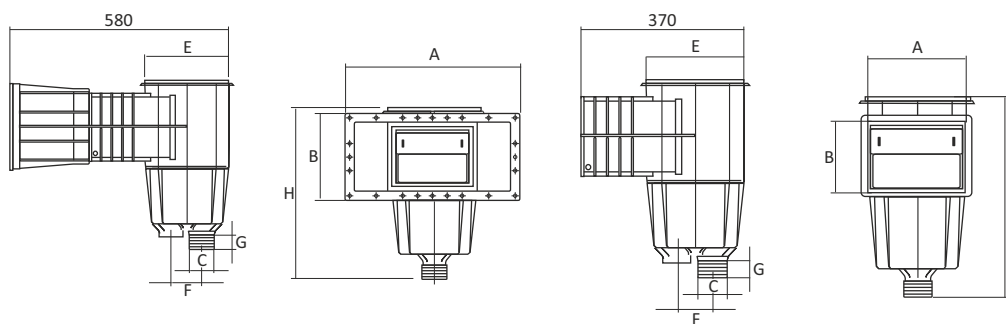
- Exclusive version of the overflow skimmer for installation in the pool corner with the extension of the wall, a natural funnel that captures all the impurities quickly and insuperable for a total cleaning of the water mirror.
- Supplied complete with square frame special lid with anti-removal system.
- Fittings D.50 - 63 with shutter flap overflow system D.32x25mf.
- PP Basket, floating weir system thread for pressure test, socket insert, screw in S.S. 316 for mod. Liner, in additional elegant flange cover.
- Ccan be installed in prefabricated pools without sandwich gasket.
- Flow rate: 9.82m³/h D.50 - 15.61m³/h D.63
- In according with legislation UNI 13451.



POOL	CODE	DESCRIPTION	PACKING WEIGHT VOLUME		
				kg	m ³
Concrete	20020002	Corner skimmer (right handed)	1	10	0.17
	20200045	Corner skimmer (left handed)	1	10	0.17
Liner	200200001	Corner skimmer (right handed)	1	10	0.17
	200200044	Corner skimmer (left handed)	1	10	0.17

SKIMMERS

- Made of completely unalterable ABS.
- Equipped with weir flap and hair-collector basket cover for bottom-cleaner connection.
- European connections (GAS thread).
- Flow rate 7.5 m³/h.



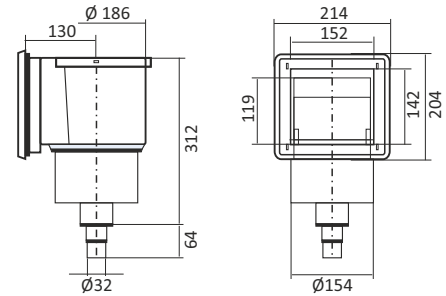
LID	POOL	CODE	MOUTH	DIMENSIONS							PACKING WEIGHT VOLUME		
				A	B	C	E	F	G	H	kg	m ³	
Concrete	●	F-107	●	208	146	2"	221	77	31	415	1	3	0.06
		F-108	●	440	192	2"	221	77	31	415	1	3	0.06
	●	F-109	●	208	146	2"	221	77	31	415	1	3.5	0.06
		F-110	●	440	192	2"	221	77	31	415	1	3.5	0.06
Liner	●	F-111	●	208	146	2"	223	77	31	415	1	3	0.06
		F-112	●	440	192	2"	223	77	31	415	1	3	0.06
	●	F-113	●	208	146	2"	223	77	31	415	1	3.5	0.06
		F-114	●	440	192	2"	223	77	31	415	1	3.5	0.06

Pool Circulation



SKIMMER WITH NOZZLE

- For spas & above ground pools.
- Flow rate 7.5m³/h.

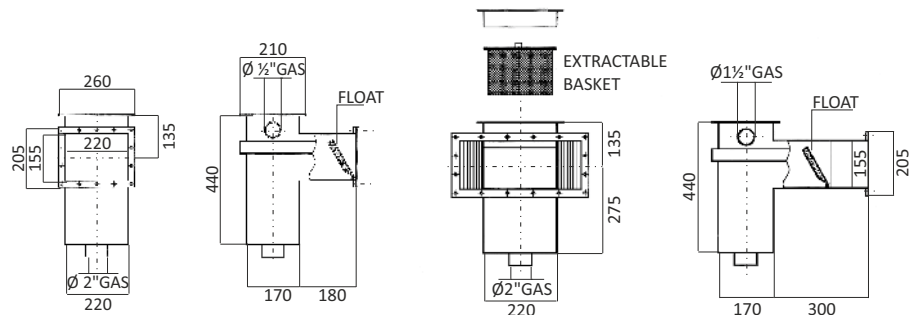


CODE	PACKING WEIGHT VOLUME	
	kg	m ³
F-115	1	



STAINLESS STEEL SKIMMERS

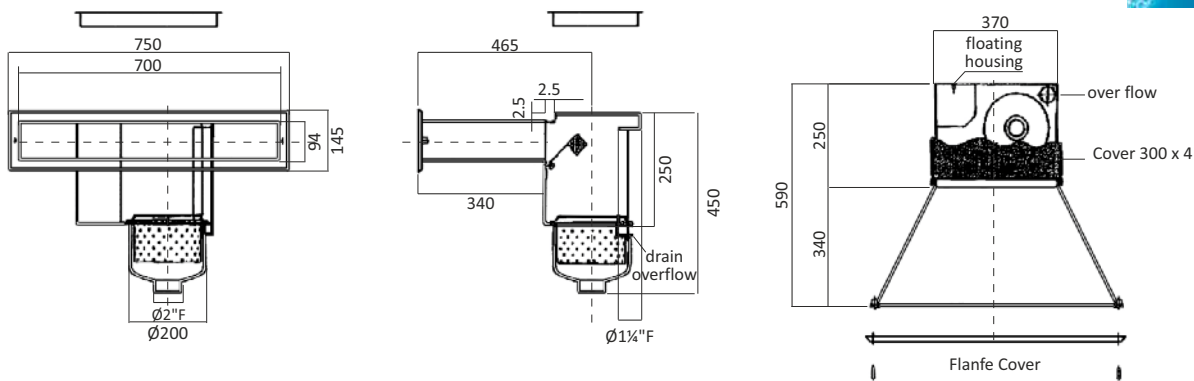
- Made of AISI-316L stainless steel.



POOL	CODE	MOUTH	FLOW RATE	PACKING WEIGHT VOLUME	
				kg	m ³
Concrete	F-116	●	8	1	
	F-117	●	12	1	
Liner	F-118	●	8	1	
	F-119	●	12	1	

STAINLESS STEEL SKIMMERS FOR LEVEL CHANNEL

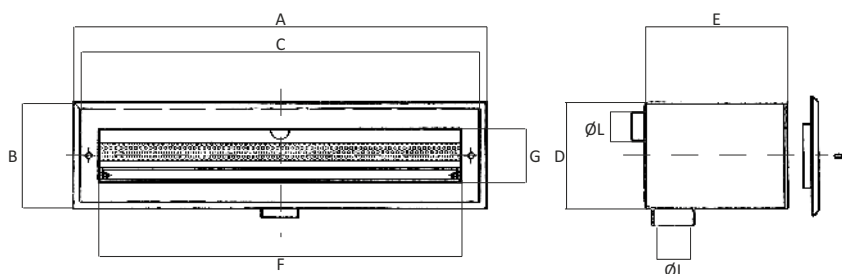
- Made of AISI-316L stainless steel.
- For level channel with mouth mm. 700
- Automatic fill.



POOL	CODE	FLOW RATE m ³ /h	PACKING WEIGHT VOLUME	
			kg	m ³
Concrete	19112	12	1	
Liner	19113	12	1	

STAINLESS STEEL SKIMMERS WITH REMOVABLE BASKET

- Made of AISI-316L stainless steel.
- Horizontal skimmers for level channel with removable basket from frontal mouth.

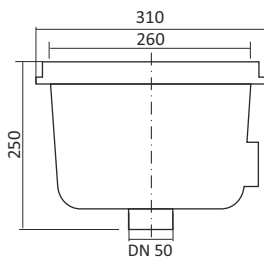


POOL	CODE	FLOW RATE m ³ /h	DIMENSIONS									PACKING WEIGHT VOLUME	
			A	B	C	D	E	F	G	ØI	ØL	kg	m ³
Concrete	19122	12	475	170	450	148	205	391	76	2" F	1" F	1	
	19124	12	675	170	650	148	205	391	76	2" F	1" F	1	
Liner	19123	12	475	170	450	148	205	391	76	2" F	1" F	1	
	19125	12	675	170	650	148	205	391	76	2" F	1" F	1	

Pool Circulation

2- LEVEL REGULATORS

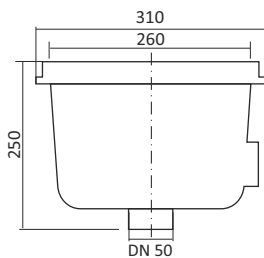
MECHANICAL LEVEL REGULATOR



- ABS body
- Cover adapter
- ABS Skimmer cover
- ABS Skimmer frame cover
- Tap with floaters G 3/8" M
- Overflow system stub pipe
- Anti-intrusion system for Skimmer cover
- Nozzle connection $\varnothing 50F$
- Overflow system connection $\varnothing 50M$ (to be drilled during installation)
- Water connection 3/8" M
- Standards:
Inlet systems UNI EN 10637:2006 Par.5.2.3.3
UNI EN 13451-1:2002 points 4.41 – 4.5 – 4.6–4.11 – 4.12 – 6.1 – 6.2 – 6.3 – 6.1 – 6.2
UNI EN 13451-3:2002 points – 4.27 – A.2.2

CODE	DIMENSION L x W X H	PACKING WEIGHT VOLUME		
			kg	m ³
20020059	300 x 300 x 280	1	2	0.045

ELECTRICAL LEVEL REGULATOR



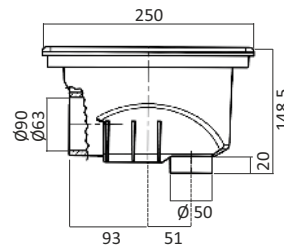
- ABS body
- Cover adapter
- ABS Skimmer cover
- ABS Skimmer frame cover
- Level sensor
- Support for level sensor adjustment
- Overflow system stub pipe
- Anti-intrusion system for Skimmer cover
- Nozzle connection $\varnothing 50F$
- Overflow system connection $\varnothing 50M$ (to be drilled during installation)
- Standards:
Inlet systems UNI EN 10637:2006 Par.5.2.3.3
UNI EN 13451-1:2002 points 4.41 – 4.5 – 4.6–4.11 – 4.12 – 6.1 – 6.2 – 6.3 – 6.1 – 6.2
UNI EN 13451-3:2002 points – 4.27 – A.2.2

CODE	DIMENSION L x W X H	PACKING WEIGHT VOLUME		
			kg	m ³
200200730	300 x 300 x 280	1	2	0.045

3- MAIN DRAINS

AQUA SQUARE MAIN DRAIN

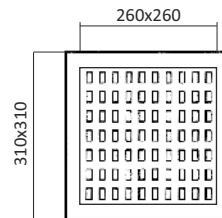
- Main drain made in ABS and anti-vortex grid.
- In accordance with legislation UNI for public use and UNI 13451.
- Lateral fitting D.63F or lower D.50.
- Large diameter (195mm) for accommodate a submersible pump and reduced height (140mm) for floor slot.
- Sucket insert and screw S.S 316 for mod. Liner.
- Square frame with adjustable loops for the mod. concrete.



POOL	CODE	Ø PIPE	FLOW RATE AT SPEED 0.5m/s m ³ /h	FLOW RATE AT SPEED 0.3m/s m ³ /h	PACKING WEIGHT VOLUME	
					kg	m ³
Concrete	200200038	63	16.86	15.61	1	0.01
		90	28.11	17.83	1	0.01

AQUAMAX MAIN DRAIN

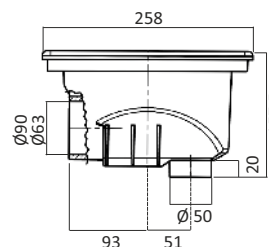
- Made in ABS with anti-vortex grid, ideal for swimming pool with large volumes.
- In accordance with legislation UNI for public use and UNI 1341.
- Flow rate 52 mc/h at speed 0,5 m/s.
- Lateral fitting D.125/110.
- External dimension 310x310 h 230mm, ABS grid 260x260mm.
- Sucket insert and screw INOX 316 for mod. Liner.



POOL	CODE	Ø PIPE	FLOW RATE AT SPEED 0.5m/s m ³ /h	FLOW RATE AT SPEED 0.3m/s m ³ /h	PACKING WEIGHT VOLUME	
					kg	m ³
Concrete	200200061	90	49.59	31.62	1	0.03
		125	52.71	-	1	0.03
Liner	200200060	90	49.59	31.62	1	0.03
		125	52.71	-	1	0.03

AQUA ROUND MAIN DRAIN

- Main drain made in ABS and anti-vortex grid.
- In accordance with legislation UNI for public use and UNI 13451.
- Lateral fitting D.63F or lower D.50.
- Large diameter (195mm) for accommodate a submersible pump and reduced height (140mm) for floor slot.
- Sucket insert and screw S.S 316 for mod. Liner.
- Square frame with adjustable loops for the mod. concrete.



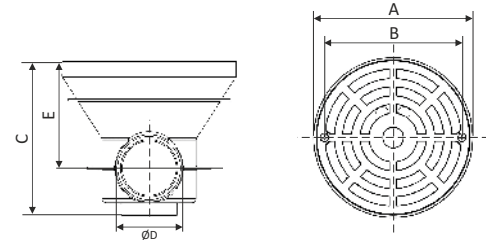
POOL	CODE	Ø PIPE	FLOW RATE AT SPEED 0.5m/s m ³ /h	FLOW RATE AT SPEED 0.3m/s m ³ /h	PACKING WEIGHT VOLUME	
					kg	m ³
Liner	200200037	63	16.86	15.61	1	0.01
		90	28.11	17.83	1	0.01

Pool Circulation



ROUND MAIN DRAIN

- Made of white ABS with ABS grill.

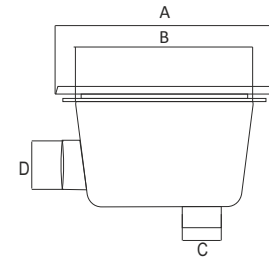


POOL	CODE	FLOW RATE m ³ /h	DIMENSIONS					PACKING	WEIGHT kg	VOLUME m ³
			A	B	C	ØD	E			
Concrete	F-123	13	182	157	160	2"	111	4	3	0.02
Liner	F-124	13	182	157	160	2"	111	4	3.2	0.02



ANTI-VORTEX ROUND POOL DRAIN

- Main drain made in ABS and Anti-Vortex grill.
- UV protected.
- Chemical resistant.

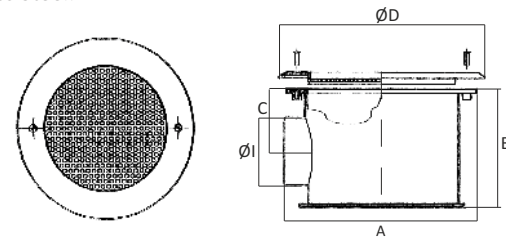


POOL	CODE	FLOW m ³ /h	DIMENSIONS				PACKING	WEIGHT kg	VOLUME m ³
			A	B	C	D			
Concrete	F-125	10	220	200	1.5"	1.5"	4	3	0.02
	F-126	10	220	200	2"	2"	4	3.2	0.02
Liner	F-127	10	220	200	1.5"	1.5"	4	3	0.02
	F-128	10	220	200	2"	2"	4	3.2	0.02



STAINLESS STEEL ROUND POOL DRAIN

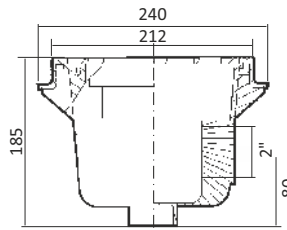
- Made of AISI 316/L - V4A Stainless Steel.
- Connection 2" F.



POOL	CODE	FLOW RATE m ³ /h	DIMENSIONS					PACKING	WEIGHT kg	VOLUME m ³
			A	B	C	ØD	ØI			
Concrete	20099	20	170	125	75	190	2" F			
Liner	20100	20	170	125	75	190	2" F			

ABS SQUARE POOL DRAIN

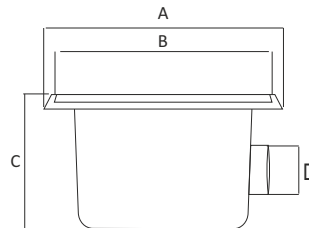
- Square main drain for concrete pools.
- With ABS grille.



POOL	CODE	FLOW RATE m ³ /h	PACKING WEIGHT VOLUME		
			kg	m ³	
Concrete	F-140	13	4	4.4	0.05

MAIN DRAIN IN FIBER GLASS/STAINLESS STEEL

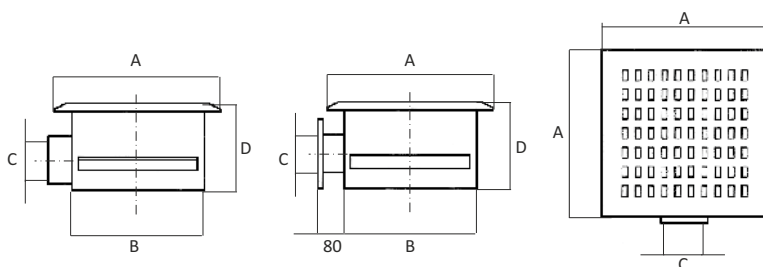
- Square main drain in polyester reinforced with fiber glass, stainless steel grille AISI 316.



POOL	CODE	DIMENSION				FLOW RATE m ³ /h	PACKING WEIGHT VOLUME	
		A	B	C	D		kg	m ³
Concrete	200200445	356	282	235	110	44.31	1	
	200200446	510	424	245	200	110.56	1	
Liner	200200451	356	282	235	110	44.31	1	
	200200452	510	424	245	200	110.56	1	

STAINLESS STEEL SQUARE DRAINS

- Made of AISI 316 stainless steel, the upper grille has shiny finish.



CODE	DIMENSIONS				FLOW RATE m ³ /h	PACKING WEIGHT VOLUME	
	A	B	C	D		kg	m ³
F-146	250	200	2" F	170	22	1	
F-147	300	250	3" F	200	37	1	
F-148	350	300	4" F	200	59	1	
F-149	450	400	DN 125	290	78	1	
F-150	500	450	DN 150	320	134	1	

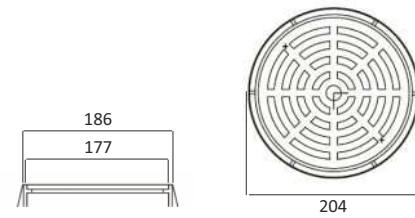
Pool Circulation

4- MAIN DRAIN COVERS



MAIN DRAIN GRILLE

- Made entirely in white ABS material, or white ABS and stainless steel material.
- Chemical-resistant.
- UV protected.
- Tight gaps.

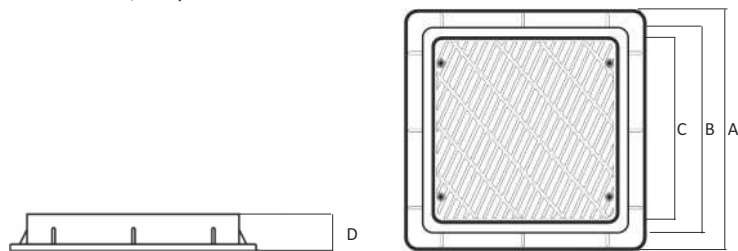


POOL	CODE	COVER	PACKING	WEIGHT	VOLUME
				kg	m ³
Concrete	F-137	White ABS	1		
	F-138	Stainless Steel	1		



ABS FRAME AND GRATE

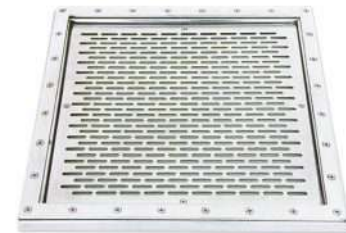
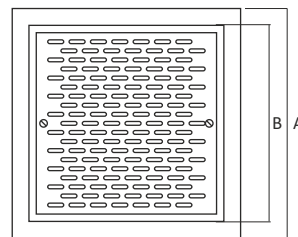
- Made of white ABS.
- Chemical-resistant, UV protected.



POOL	CODE	DIMENSIONS				PACKING	WEIGHT	VOLUME
		A	B	C	D		kg	m ³
Concrete	F-151	265	245	227	29	1		
	F-152	342	321	305	29	1		

STAINLESS STEEL STANDARD BOTTOM GRILLE

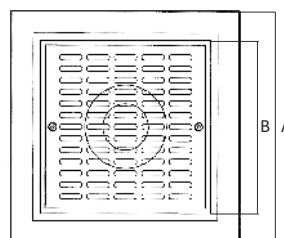
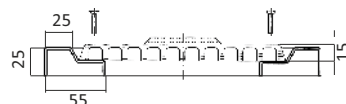
- Made of AISI 316L stainless steel.
- Sheet steel thickness 3mm.



CODE		BORES 30x6	FLOW RATE	DIMENSIONS		PACKING	WEIGHT	VOLUME
CONCRETE	LINER	N°	m ³ /h	A	B		kg	m ³
F-155	F-160	56	31.21	250x250	200x200	1		
F-156	F-161	90	41.57	300x300	250x250	1		
F-157	F-162	140	72.68	350x350	300x300	1		
F-158	F-163	300	155.62	450x450	400x400	1		
F-159	F-164	468	242.71	550x550	500x500	1		

STAINLESS STEEL SAFETY BOTTOM GRATE

- Made of AISI 316L stainless steel.
- Sheet steel thickness 3mm.
- For concrete pools.



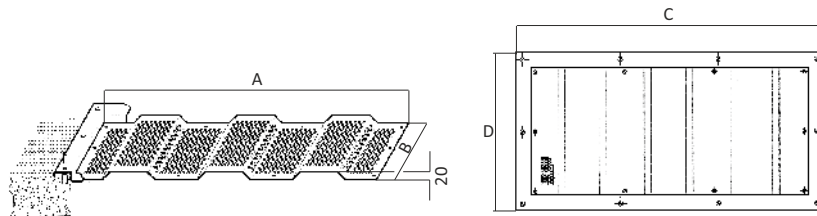
CODE		BORES 30x6	FLOW RATE	DIMENSIONS		PACKING	WEIGHT	VOLUME
CONCRETE	LINER	N°	m ³ /h	A	B		kg	m ³
F-165	F-165-L	168	45	365x365	300x300	1		
F-166	F-166-L	340	80	465x465	400x400	1		
F-167	F-167-L	504	120	565x565	500x500	1		

Pool Circulation



STAINLESS STEEL RECTANGULAR WALL SAFETY GRATE

- Made of AISI 316L stainless steel.

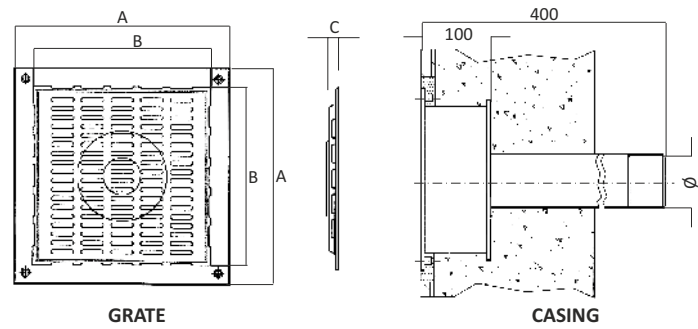


CODE	FLOW RATE m ³ /h	DIMENSIONS				PACKING	WEIGHT kg	VOLUME m ³
		A	B	C	D			
F-178	190	718	333	880	495	1		
F-179	250	943	333	1105	495	1		



STAINLESS STEEL WALL SAFETY GRATE WITH CASING

- Made of AISI 316L stainless steel.
- For concrete pools.



CODE		BORES 30x6 N°	CONNECTION Ø	FLOW RATE m ³ /h	DIMENSIONS			PACKING	WEIGHT kg	VOLUME m ³
GRATE	CASING				A	B	C			
F-168	F-173	100	1x3"	35	300x300	240x240	23	1		
F-169	F-174	168	1x4"	65	350x350	290x290	23	1		
F-170	F-175	340	1x5"	90	450x450	390x390	23	1		
F-171	F-176	504	2x4"	130	550x350	490x290	23	1		
F-172	F-177	700	2x5"	180	660x450	600x390	28	1		

5- NOZZLES

AQUA WALL NOZZLE

- Injection nozzle designed for high flow rate.
- The innovative design, an inward embrasure form with directional fins improve the distribution of flow and adjustable fins improve the flow distribution.
- The outer-clamping ring nut also has a embrasure and conical form, that allows to distribute extending the flow distribution effect creating a twirled conical effect of the flow right from the very beginning of the water's emissions 5 socket insert.
- Screw in INOX 316 for mod. Liner, in additional elegant flange cover.
- Flow rate: 12m³/h.
- In accordance with legislation UNI 13451.



CODE	DESCRIPTION	PACKING	WEIGHT		VOLUME	
				kg		m ³
200200017	Directional wall inlet for concrete 63x50mm	50		20		0.09
200200048	Directional wall inlet for liner 63x50 mm	50		20		0.09
200200017F	Wall inlet for concrete, 2" m threaded x50	50		20		0.09
200200048F	Wall inlet for liner, 2" m threaded x50	50		20		0.09

ACCESSORIES FOR AQUA WALL NOZZLE

CODE	DESCRIPTION	PACKING	WEIGHT		VOLUME	
				kg		m ³
200200020	Suction grill	1		0.1		0.001
200200021	Valve hose tail	1		0.1		0.001
200200022	Blanking plate	1		0.1		0.001
200200047	Wall inlet for concrete 63 x 50	1		0.2		0.01
200200049	Wall inlet for liner 63 x 50	1		0.2		0.01
200200047F	Wall inlet for concrete 2" m threaded x 50	1		0.2		0.01
200200049F	Wall inlet for liner 2" m threaded x 50	1		0.2		0.01



AQUA FLOOR NOZZLE

- ABS floor nozzle with radial emission nozzle made in ABS with fitting Ø63 and Ø50.
- Complete with gasket, fixing flange at 5 screw in INOX 316 and cover flange.
- Flow rate: 12m³/h.
- In accordance with legislation UNI 13451.



POOL	CODE	DESCRIPTION	PACKING	WEIGHT		VOLUME	
					kg		m ³
Concrete	200200028	Radial floor inlet 63x50mm	1		0.19		0.01
	200200028F	Radial floor inlet 2"m threaded x 50F	1		0.19		0.01
Liner	200200027	Radial floor inlet 63x50mm	1		0.19		0.01
	200200027F	Radial floor inlet 2"m threaded x 50F	1		0.19		0.01

Pool Circulation



F-194



F-198

ABS NOZZLES

- Nozzles made entirely of white ABS.
- Totally unalterable by UV rays and the harsh chemicals used in swimming pools.



F-201



F-202



F-203



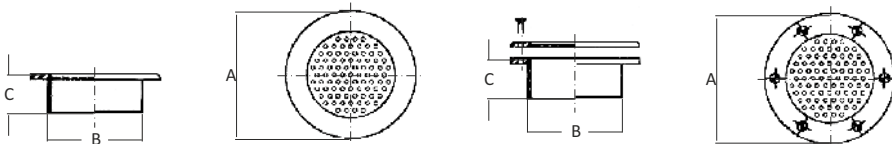
F-204

CODE	DESCRIPTION	FLOW RATE	PACKING	WEIGHT	VOLUME
		m ³ /h			
F-194	ABS bottom inlet for concrete, 2" thread, 50mm inside	8	20	4.4	0.022
F-198	ABS overflow channel drain for concrete, 2" inside thread, 2" inside glue	7	12	3.1	0.016
F-201	ABS discharge inlet for concrete, 2" outside thread, 50mm inside solvent	7	25	3.4	0.022
F-201-G	ABS discharge inlet for concrete, 2" outside glue 50mm inside solvent	7	25	3.4	0.022
F-202	ABS discharge inlet for liner, 2" outside thread, 50mm inside solvent	7	25	3.8	0.022
F-202-G	ABS discharge inlet for liner, 2" outside glue 50mm inside solvent	7	25	3.8	0.022
F-203	ABS suction nozzle for concrete, 2" outside thread, 50mm inside solvent	8	25	3.3	0.022
F-203-G	ABS suction nozzle for concrete, 2" outside glue 50mm inside solvent	8	25	3.3	0.022
F-204	ABS suction nozzle for liner, 2" outside thread, 50mm inside solvent	8	25	3.7	0.022
F-204-G	ABS suction nozzle for liner, 2" outside glue 50mm inside solvent	8	25	3.7	0.022



STAINLESS STEEL FIXED WALL INLETS

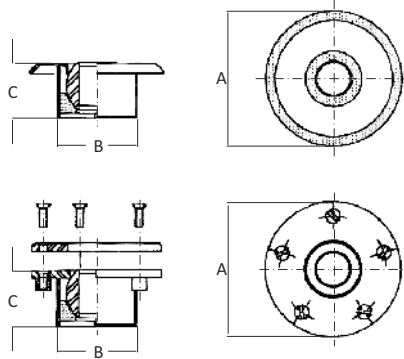
- Made of AISI 316L stainless steel .



POOL	CODE	DIMENSION			FLOW RATE at 1bar	PACKING	WEIGHT	VOLUME
		A	B	C	m ³ /h			
Concrete	F-210	88	1½"	35	4	1		
	F-211	102	2"	42	6	1		
	F-212	130	3"	47	13.5	1		
	F-213	155	4"	47	21	1		
Liner	F-214	88	1½"	35	4	1		
	F-215	102	2"	42	6	1		
	F-216	130	3"	47	13.5	1		
	F-217	155	4"	47	21	1		

STAINLESS STEEL ORIENTABLE WALL INLETS

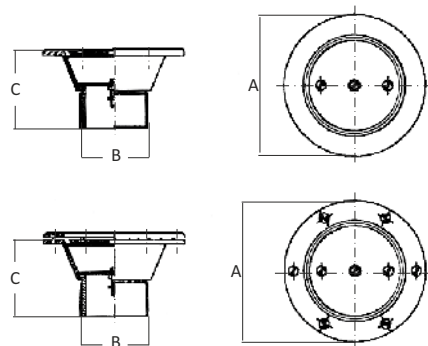
- Made of AISI 316 stainless steel .



POOL	CODE	DIMENSION			FLOW RATE at 1bar m ³ /h	PACKING	WEIGHT kg	VOLUME m ³
		A	B	C				
Concrete	F-218	88	1½"	35	4	1		
	F-219	102	2"	42	6	1		
	F-220	130	3"	47	13.5	1		
Liner	F-221	88	1½"	35	4	1		
	F-222	102	2"	42	6	1		
	F-223	130	3"	47	13.5	1		

STAINLESS STEEL ADJUSTABLE FLOOR INLETS

- Made of AISI 316L stainless steel.



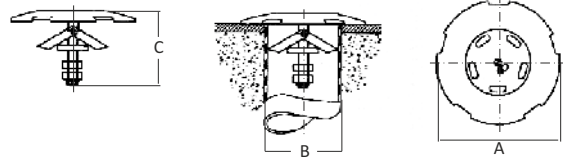
POOL	CODE	DIMENSIONS			FLOW RATE at 1bar m ³ /h	PACKING	WEIGHT kg	VOLUME m ³
		A	B	C				
Concrete	F-230	145	2"	55	8	1		
Liner	F-231	145	2"	60	15	1		

Pool Circulation



STAINLESS STEEL ADJUSTABLE FLOOR INLET "LUSSO"

- Made of AISI 316L stainless steel.
- For concrete pools.

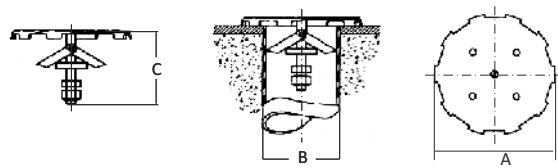


CODE	DIMENSIONS			FLOW RATE at 1bar m ³ /h	PACKING	WEIGHT kg	VOLUME m ³
	A	B	C				
F-232	120	50-63	70	3	1		
F-233	145	75-90	70	5	1		



STAINLESS STEEL FIXED FLOOR INLET "STANDARD"

- Made of AISI 316L stainless steel.
- For concrete pools.

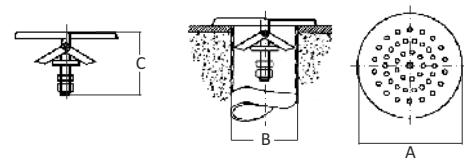


CODE	DIMENSIONS			FLOW RATE at 1bar m ³ /h	PACKING	WEIGHT kg	VOLUME m ³
	A	B	C				
F-234	115	50-63	70	4	1		
F-235	135	75-90	70	6	1		



STAINLESS STEEL FIXED FLOOR INLET Mod. KAISER

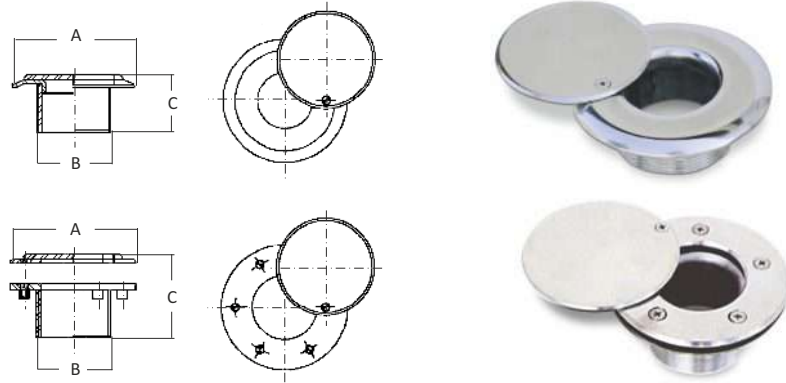
- Made of AISI 316L stainless steel.
- For concrete pools.



CODE	DIMENSIONS			FLOW RATE at 1bar m ³ /h	PACKING	WEIGHT kg	VOLUME m ³
	A	B	C				
F-236	115	50-63	70	8	1		
F-237	135	75-90	70	18	1		

STAINLESS STEEL SUCTIONS

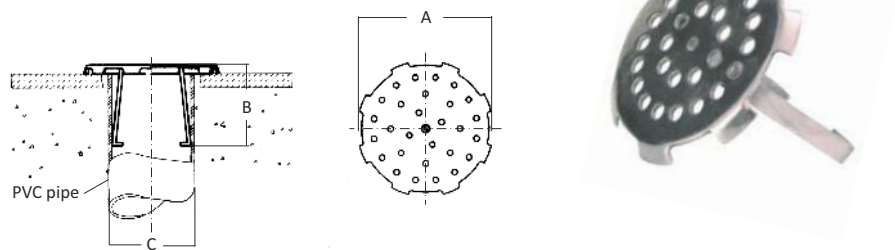
- Made of AISI 316L stainless steel.



POOL	CODE	DIMENSIONS			PACKING	WEIGHT kg	VOLUME m ³
		A	B	C			
Concrete	F-240	100	2"	47	1		
Liner	F-241	100	2"	50	1		

STAINLESS STEEL OVERFLOW CHANNEL DRAIN

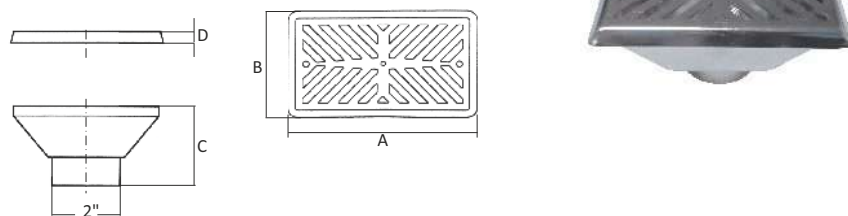
- Made of AISI 316L stainless steel.
- Complete with hook for fixing.



CODE	DIMENSIONS			FLOW RATE at 1bar m ³ /h	PACKING	WEIGHT kg	VOLUME m ³
	A	B	C				
F-245	108	70	63/70	10	1		
F-246	130	80	90/70	20	1		

STAINLESS STEEL GRILL (FOLDED)

- Made of AISI 316L stainless steel.



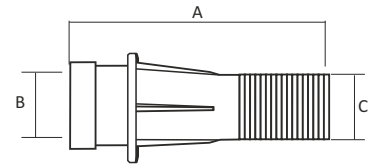
POOL	CODE	DIMENSIONS				FLOW RATE at 1bar m ³ /h	PACKING	WEIGHT kg	VOLUME m ³
		A	B	C	D				
Concrete	F-248	164	94	84	12	13	1		
Liner	F-248-L	164	94	84	12	13	1		

Pool Circulation

6- WALL CONDUITS

ABS WALL CONDUIT

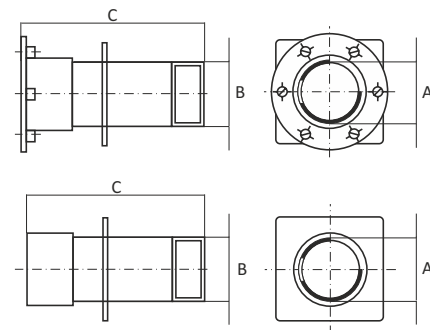
- ABS wall conduit with site for collection nozzle.



CODE	DESCRIPTION	DIMENSIONS			PACKING	WEIGHT	VOLUME
		A	B	C			
200200686	2½"F - 1½" F	250	2½"	1½"	1	0.50	-
200200685	2½"F - 1½" F	300	2½"	1½"	1	0.60	-
FG-250	2" threaded	300	2"	2"	400	8.8	0.09
FG-250-G	2" Glue	300	2"	2"	400	8.8	0.09

STAINLESS STEEL WALL CONDUITS

- Made of AISI 316 stainless steel.



CODE		DIMENSION			PACKING	WEIGHT	VOLUME
CONCRETE	LINER	A	B	C			
F-253	F-257	1½"	1½"	250/350	1	kg	m³
F-254	F-258	2"	2"	250/350	1		
F-255	F-259	3"	3"	400	1		
F-256	F-260	4"	4"	400	1		

