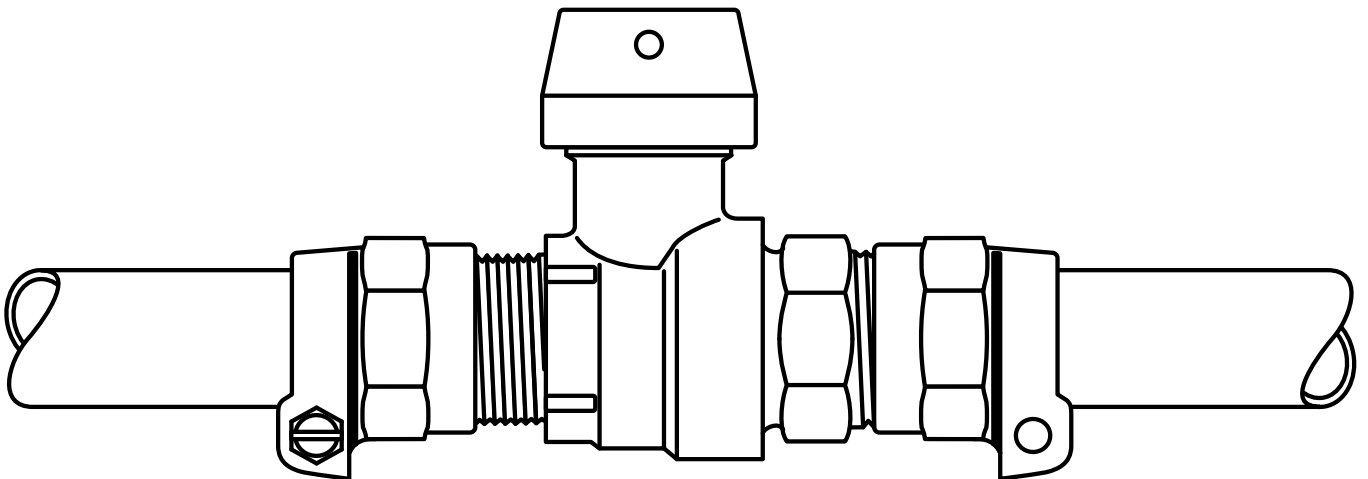




Ford Curb Stops and Meter Valves

for Metric Pipe



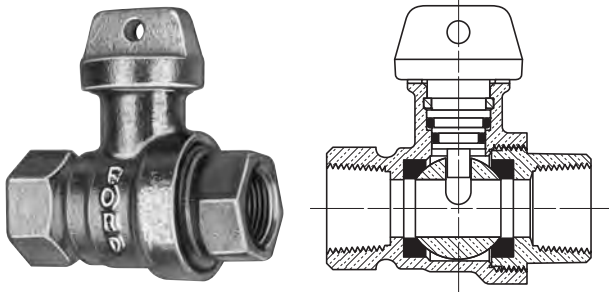
The Ford Meter Box Company, Inc.
775 Manchester Avenue, P.O. Box 443, Wabash, Indiana, USA 46992-0443
Telephone: 260-563-3171 Overseas FAX: 260-563-0167
<http://www.fordmeterbox.com>



Information

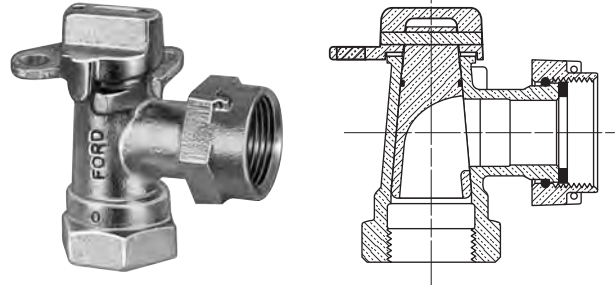
Features of Ford Ball Valves and Key Valves

The Ford Ball Valves



- Solid one-piece tee-head and stem
- Heavy cast bronze body
- Pressure rating: 20 bar
- Molded Buna-N or EPDM rubber seats support the ball
- Wide variety of end connections available

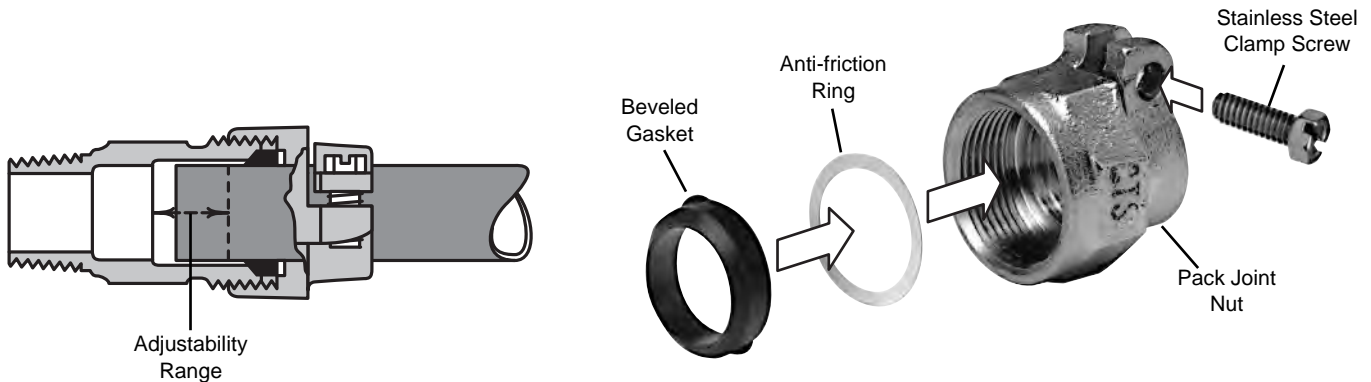
The Ford Key Valves



- Solid water works bronze construction
- Inverted key provides metal to metal seal
- Buna-N rubber O-ring offers extra leak protection
- Pressure rating: 7 bar
- Wide variety of end connections available

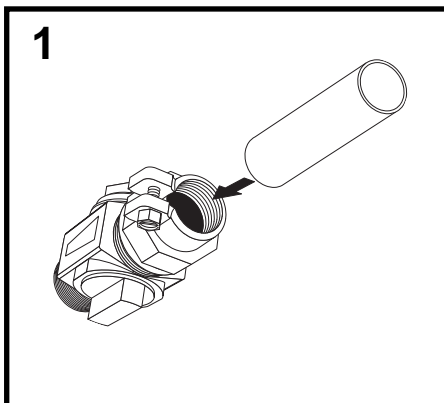
PRESSURE REQUIREMENTS

Ford Key Valves are available in sizes 15mm through 25mm designed for normal service line pressure conditions. Higher pressure ratings require the use of Ford Ball Style Valves available in sizes 15mm through 63mm.

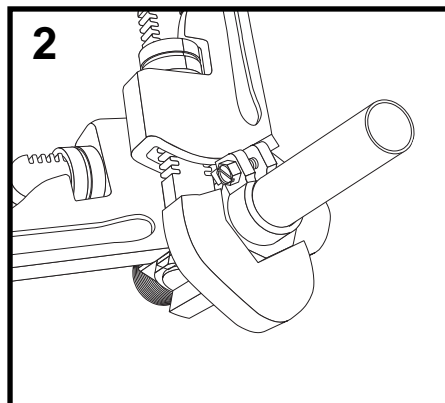


How the Ford Pack Joint Works

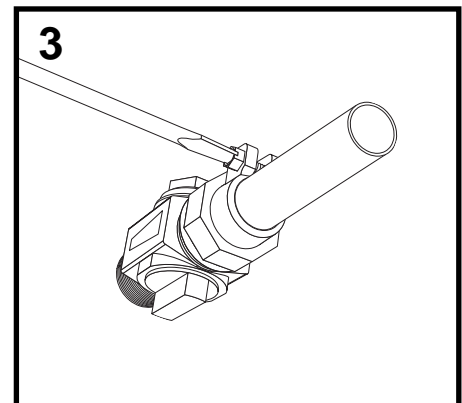
Pack Joint allows service pipe to be directly attached to Ford Ball or Key Valves without the need for an adapter.



1. Service tube inserted into Pack Joint coupling.



2. Tighten Pack Joint nut to compress gasket and create a water tight seal.



3. Tighten set screw to provide pull-out restraint.

Ford Ball Valve Curb Stops

Ball Valves with Iron Pipe Threads

Female Iron Pipe Threads Both Ends

B11-333-BSPT



CATALOG NUMBER	VALVE SIZE	ONE END	OTHER END	APPROX. WT. KG
B11-111-BSPT	13mm	13mm	13mm	.19
B11-211-BSPT	15mm	13mm	13mm	.45
B11-231-BSPT	15mm	20mm	13mm	.47
B11-233-BSPT	15mm	20mm	20mm	.47
B11-333-BSPT	20mm	20mm	20mm	.86
B11-343-BSPT	20mm	25mm	20mm	.91
B11-344-BSPT	20mm	25mm	20mm	.95
B11-444-BSPT	25mm	25mm	25mm	1.1
B11-454-BSPT	25mm	32mm	25mm	1.3
B11-455-BSPT	25mm	32mm	32mm	1.4
B11-555-BSPT	32mm	32mm	32mm	2.1
B11-566-BSPT	32mm	40mm	32mm	2.4
B11-666-BSPT	40mm	40mm	40mm	3.2
B11-676-BSPT	40mm	50mm	40mm	2.9
B11-677-BSPT	40mm	50mm	50mm	3.6
B11-777-BSPT	50mm	50mm	50mm	3.8

B81-777-BSPT



Male Iron Pipe Thread by Female Iron Pipe Thread

CATALOG NUMBER	VALVE SIZE	MIP END	FIP END	APPROX. WT. KG
B81-233-BSPT	15mm	20mm	20mm	.44
B81-333-BSPT	20mm	20mm	20mm	.75
B81-444-BSPT	25mm	25mm	25mm	1.2
B81-455-BSPT	25mm	32mm	32mm	1.4
B81-666-BSPT	40mm	40mm	40mm	2.8
B81-676-BSPT	40mm	50mm	40mm	2.87
B81-677-BSPT	40mm	50mm	50mm	-
B81-777-BSPT	50mm	50mm	50mm	4.2

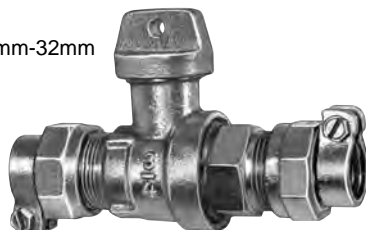
B61-32mm-FBSPT



Pack Joint for Plastic Pipe (PEP) by Female Iron Pipe Thread

CATALOG NUMBER	VALVE SIZE	P.J. INLET SIZE	FIP END	APPROX. WT. KG
B61-3-25mm-FBSPT	20mm	25mm	20mm	1.02
B61-3-32mm-FBSPT	20mm	32mm	20mm	1.20
B61-4-32mm-FBSPT	25mm	32mm	25mm	1.57
B61-4-40mm-FBSPT	25mm	40mm	25mm	1.81
B61-6-50mm-FBSPT	40mm	50mm	40mm	4.12
B61-7-63mm-FBSPT	50mm	63mm	50mm	5.50

B66-4-32mm-32mm



Pack Joint for Plastic Pipe (PEP)* Both Ends

CATALOG NUMBER	DESCRIPTION			APPROX. WT. KG
	VALVE SIZE	ONE END	OTHER END	
B66-4-32MM-32MM	25mm	32mm	32mm	1.5
B66-5-40MM-40MM	32mm	40mm	40mm	1.8
B66-6-50MM-50MM	40mm	50mm	50mm	2.3

NOTE: Padlock Wings are available. Contact factory.

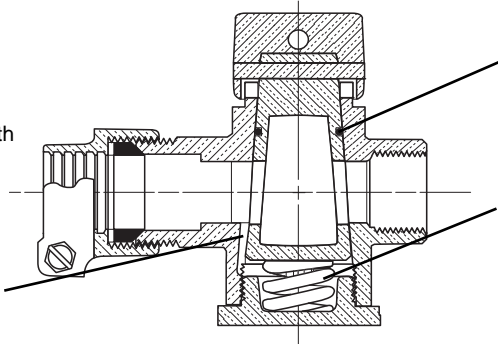
Ford Inverted Key Curb Stops

Features of the Ford Inverted Key Valve

The photo at right shows a Z61-3-25mm-FBSPT Inverted Key Valve with Pack Joint inlet and female iron pipe outlet.

Available with the Stop-and-Waste feature.

A water passage on the inlet side provides upward pressure on the key, helping to hold it in the proper position.



A Buna-N rubber O-ring near the top of the inverted key offers extra protection against leaks.

A bronze coil spring exerts a constant upward force on the bottom of the key. If the tee-head requires tapping to free a stuck key, the spring automatically reseats the key in a watertight position.

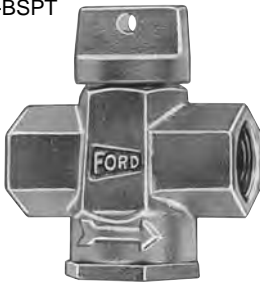
Curb Stops with Female Iron Pipe Threads

15mm (1/2") Solid Tee Head Plug Valve Curb Stops

CATALOG NUMBER	DESCRIPTION			APPROX. LENGTH	APPROX. WT. KG
	VALVE SIZE	INLET SIZE & TYPE	OUTLET SIZE & TYPE		
ZX11-111-BSPT	15mm	15mm FIP	15mm FIP	-	.32

NOTE: ZX style valves are plug-style rather than inverted key style.

Z11-333-BSPT



Female Iron Pipe Thread Both Ends

CATALOG NUMBER	DESCRIPTION			APPROX. LENGTH	APPROX. WT. KG
	VALVE SIZE	INLET SIZE	OUTLET SIZE		
Z11-333-BSPT	20mm	20mm	20mm	84mm	.95
ZS11-333-BSPT	20mm	20mm	20mm	73mm	.91
ZL11-333-BSPT	20mm	20mm	20mm	95mm	1.0
Z11-444-BSPT	25mm	25mm	25mm	124mm	1.6

Female Iron Pipe Thread Both Ends Stop-and-Waste Feature

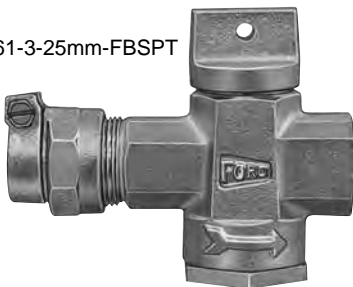
CATALOG NUMBER	DESCRIPTION			APPROX. LENGTH	APPROX. WT. KG
	VALVE SIZE	INLET SIZE	OUTLET SIZE		
Z11-333SW-BSPT	20mm	20mm	20mm	84mm	.95
ZS11-333SW-BSPT	20mm	20mm	20mm	73mm	.91
ZL11-333SW-BSPT	20mm	20mm	20mm	95mm	1.0
Z11-444SW-BSPT	25mm	25mm	25mm	124mm	1.6

NOTE: Stop and waste feature drains the outlet side of valve.

Pack Joint for Plastic Pipe (PEP) by Female Iron Pipe Thread

CATALOG NUMBER	DESCRIPTION			APPROX. WT. KG
	VALVE SIZE	PEP SIZE	FIP SIZE	
Z61-3-25mm-FBSPT	20mm	25mm	20mm	1.1
Z61-4-32mm-FBSPT	25mm	32mm	25mm	1.95

Z61-3-25mm-FBSPT



Pack Joint for Plastic Pipe (PEP) by Female Iron Pipe Thread Stop and Waste feature

CATALOG NUMBER	DESCRIPTION			APPROX. WT. KG
	VALVE SIZE	PEP SIZE	FIP SIZE	
Z61-3SW-25mm-FBSPT	20mm	25mm	20mm	1.1
Z61-4SW-32mm-FBSPT	25mm	32mm	25mm	1.95

NOTE: Stop-and-waste feature drains the FIP side of valve.

Pack Joint for Plastic Pipe (PEP) Both Ends

CATALOG NUMBER	DESCRIPTION			APPROX. WT. KG
	VALVE SIZE	INLET SIZE	OUTLET SIZE	
Z66-3-25mm-25mm	20mm	25mm	25mm	1.4
Z66-4-32mm-32mm	25mm	32mm	32mm	2.3

Z66-3-25mm



Pack Joint for Plastic Pipe (PEP) Both Ends Stop-and-Waste feature

CATALOG NUMBER	DESCRIPTION			APPROX. WT. KG
	VALVE SIZE	INLET SIZE	OUTLET SIZE	
Z66-3SW-25mm-25mm	20mm	25mm	25mm	1.4
Z66-4SW-32mm-32mm	25mm	32mm	32mm	2.3

NOTE: Stop-and-Waste feature drains the outlet side of the valve.

Ford Angle Inverted Key Service Valves

With Female Iron Pipe Outlet Thread



AV11-333W-BSPT

Female Iron Pipe Thread Inlet and Outlet

CATALOG NUMBER	DESCRIPTION			APPROX. WT. KG
	VALVE SIZE	INLET SIZE	OUTLET SIZE	
AV11-333W-BSPT	20mm	20mm	20mm	.54
AV11-444W-BSPT	25mm	25mm	25mm	.77

NOTE: "W" indicates valve is standard with Padlock Wings only.

"WW" indicates Double Padlock Wings for locking in either "on" or "off" position (optional).

Options Available _____

Handles for Key Valves may be ordered separately; see page 10.

Ford Angle Ball Service Valves

With Female Iron Pipe Outlet Thread



BA11-333W-BSPT

Female Iron Pipe Thread Inlet and Outlet

CATALOG NUMBER	DESCRIPTION			APPROX. WT. KG
	VALVE SIZE	INLET SIZE	OUTLET SIZE	
BA11-333W-BSPT	20mm	20mm	20mm	.82
BA11-343W-BSPT	20mm	25mm	20mm	.91
BA11-344W-BSPT	20mm	25mm	25mm	1.1
BA11-444W-BSPT	25mm	25mm	25mm	-
BA11-655W-BSPT	40mm	32mm	32mm	-
BA11-666W-BSPT	40mm	40mm	40mm	-
BA11-777W-BSPT	50mm	50mm	50mm	-

NOTE: "WW" indicates double padlock wings for locking in either "on" or "off" position (optional).

NOTE: "W" indicates valve is standard with padlock wings only.

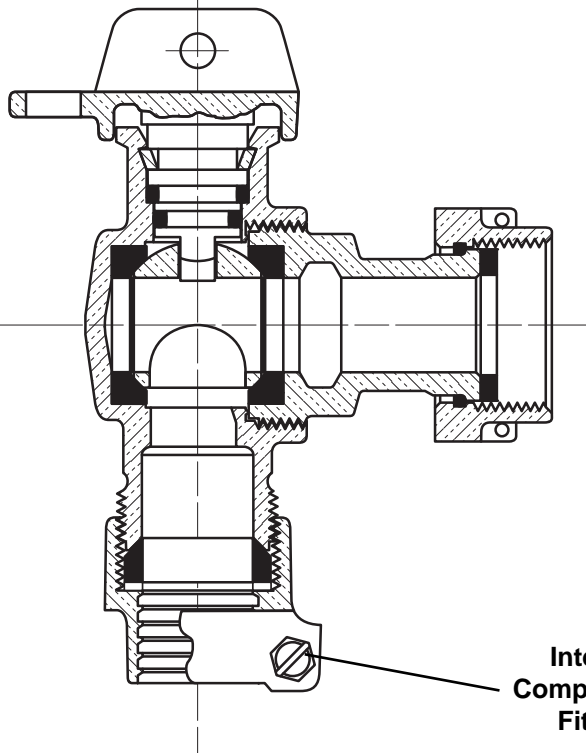
NOTE: Angle Ball Service Valves are designed for flow from inlet (bottom) to outlet as indicated above.

Options Available _____

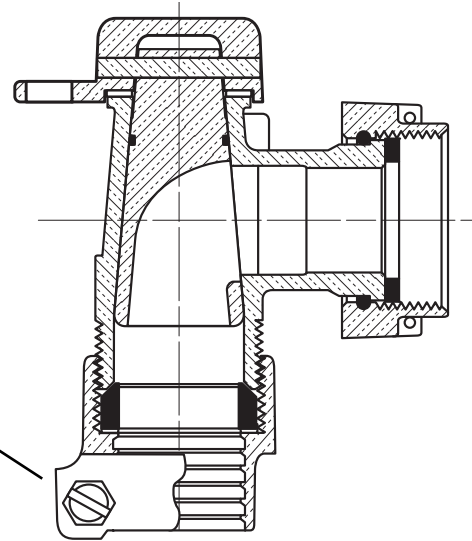
Handles are available for Ball Valves; see page 10.

Angle Meter Valves

Angle Ball Meter Valve



Angle Key Meter Valve

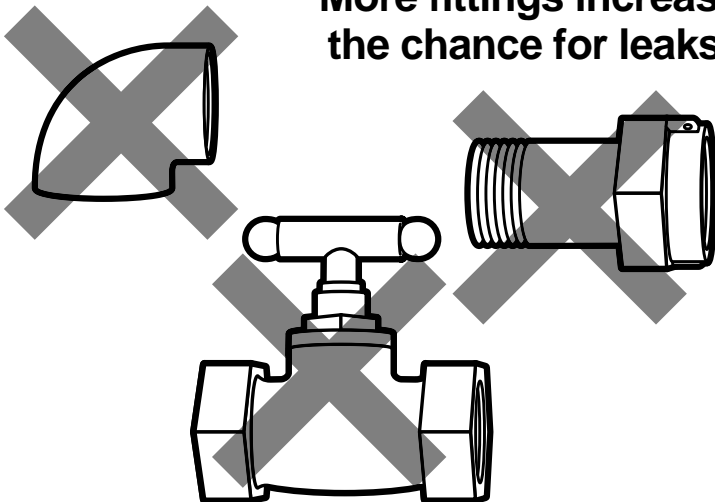


Integral
Compression
Fitting

Ford valves combine the following features into one unit:

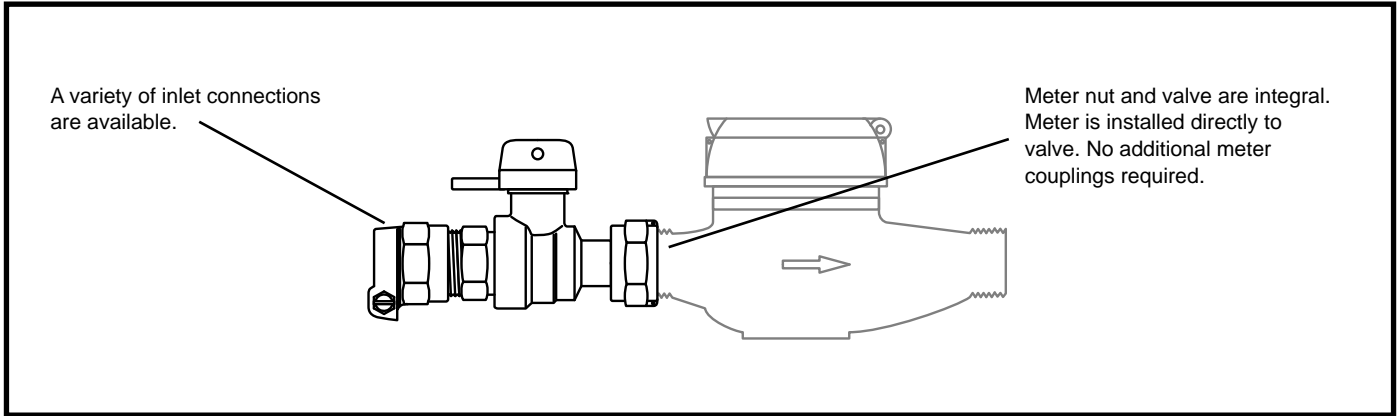
- Valve
- Meter Coupling
- Elbow
- Padlock Wings

More fittings increase
the chance for leaks.



Ford Meter Valves reduce the
number of fittings you'll need.

Ford Ball Meter Valves



Straight Ball Meter Valves for Iron Pipe

Female Iron Pipe Thread by Meter Swivel Nut



B13-332W-BSPTBSPP

CATALOG NUMBER	DESCRIPTION			APPROX. WT. KG
	VALVE SIZE	FBSPT INLET SIZE	METER SIZE	
B13-211W-BSPTBSPP	15mm	15mm	15mm	.54
B13-212W-BSPTBSPP	15mm	15mm	20mm	.54
B13-231W-BSPTBSPP	15mm	20mm	15mm	.54
B13-232W-BSPTBSPP	15mm	20mm	20mm	.59
B13-331W-BSPTBSPP	20mm	20mm	15mm	.86
B13-332W-BSPTBSPP	20mm	20mm	20mm	.91
B13-341W-BSPTBSPP	20mm	25mm	15mm	.95
B13-342W-BSPTBSPP	20mm	25mm	20mm	1.0
B13-344W-BSPTBSPP	20mm	25mm	25mm	1.1
B13-444W-BSPTBSPP	25mm	25mm	25mm	1.3
B13-454W-BSPTBSPP	25mm	32mm	25mm	1.4



B83-332W-BSPTBSPP

Male Iron Pipe Thread by Meter Swivel Nut

CATALOG NUMBER	DESCRIPTION			APPROX. WT. KG
	VALVE SIZE	MBSPT INLET SIZE	METER SIZE	
B83-332W-BSPTBSPP	20mm	20mm	20mm	.86
B83-444W-BSPTBSPP	25mm	25mm	25mm	1.26

NOTE: "W" indicates valve is standard with padlock wings *only*.

NOTE: "WW" indicates double padlock wings for locking in either "on" or "off" position (optional).

Straight Ball Meter Valves with Pack Joints



B63-3W-20mm-BSPT

Pack Joint for Plastic Pipe (PEP) by Meter Swivel Nut

CATALOG NUMBER	DESCRIPTION			APPROX. WT. KG
	VALVE SIZE	PACK JOINT INLET SIZE	METER SIZE	
B63-2W-20mm-BSPP	15mm	20mm	15mm	.82
B63-3W-20mm-BSPP	20mm	20mm	20mm	1.0
B63-3W-25mm-BSPP	20mm	25mm	20mm	1.1
B63-3W-32mm-BSPP	20mm	32mm	32mm	1.4
B63-4W-32mm-BSPP	25mm	32mm	32mm	1.4

NOTE: "W" indicates valve is standard with padlock wings *only*.

NOTE: "WW" indicates double padlock wings for locking in either "on" or "off" position (optional).

Ford Ball Meter Valves

Straight Ball Flanged Meter Valves for 40mm and 50mm Meters

BF13-777W-BSPT



Female Iron Pipe Thread by Meter Flange

CATALOG NUMBER	DESCRIPTION			APPROX. WT.KG
	VALVE SIZE	FBSPT INLET SIZE	METER SIZE	
BF13-666W-BSPT	40mm	50mm	40mm	3.54
BF13-676W-BSPT	40mm	50mm	40mm	3.76
BF13-777W-BSPT	50mm	63mm	40mm or 50mm	4.67
BF13-787W-BSPT	50mm	63mm	40mm or 50mm	4.81

BF83-777W-BSPT



Male Iron Pipe Thread by Meter Flange

CATALOG NUMBER	DESCRIPTION			APPROX. WT.KG
	VALVE SIZE	MBSPT INLET SIZE	METER SIZE	
BF83-666W-BSPT	40mm	50mm	40mm	3.67
BF83-777W-BSPT	50mm	63mm	40mm or 50mm	4.81

BF63-777W-BSPT



Pack Joint for Plastic Pipe (PEP) by Meter Flange

CATALOG NUMBER	DESCRIPTION			APPROX. WT. KG
	VALVE SIZE	PACK JOINT INLET SIZE	METER SIZE	
BF63-6W-BSPT	40mm	50mm	40mm	5.17
BF63-7W-BSPT	50mm	63mm	40mm or 50mm	5.85

Standard features include: Flat drop-in gasket. Slotted holes are standard on 50mm Flanged Valves, adapting them for connection to either 40mm or 50mm flanged meters.

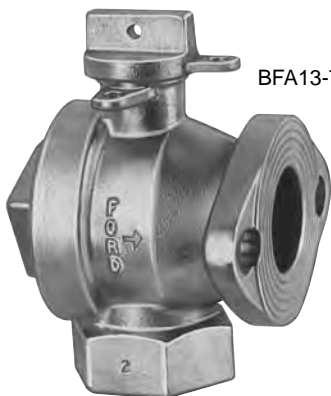
NOTE: "W" indicates valve is standard with padlock wings only.

NOTE: "WW" indicates double padlock wings for locking in either "on" or "off" position (optional).

Ford Angle Ball Flanged Meter Valves

For 40mm and 50mm Meters

BFA13-777W-BSPT



Female Iron Pipe Thread by Meter Flange

CATALOG NUMBER	DESCRIPTION			APPROX. WT. KG
	VALVE SIZE	FBSPT INLET SIZE	METER SIZE	
BFA13-666W-BSPT	40mm	50mm	40mm	3.76
BFA13-777W-BSPT	50mm	63mm	40mm or 50mm	5.08

Standard features include: Flat drop-in gasket. Slotted holes are standard on 50mm Flanged Valves, adapting them for connection to either 40mm or 50mm flanged meters.

NOTE: "W" indicates valve is standard with padlock wings only.

NOTE: "WW" indicates double padlock wings for locking in either "on" or "off" position (optional).

Ford Angle Ball Meter Valves

BA13-232W-BSPTBSPP



BA63-3W-20mm-BSPP



Female Iron Pipe Thread Inlet by Meter Swivel Nut Outlet

CATALOG NUMBER	DESCRIPTION			APPROX. WT. KG
	VALVE SIZE	FBSPT INLET SIZE	METER SIZE	
BA13-212W-BSPTBSPP	15mm	15mm	20mm	.56
BA13-231W-BSPTBSPP	15mm	20mm	15mm	.54
BA13-232W-BSPTBSPP	15mm	20mm	20mm	.59
BA13-331W-BSPTBSPP	20mm	20mm	15mm	.86
BA13-332W-BSPTBSPP	20mm	20mm	20mm	.91
BA13-341W-BSPTBSPP	20mm	25mm	15mm	1.0
BA13-342W-BSPTBSPP	20mm	25mm	20mm	1.0
BA13-344W-BSPTBSPP	20mm	25mm	25mm	1.1
BA13-444W-BSPTBSPP	25mm	25mm	25mm	1.4
BA13-454W-BSPTBSPP	25mm	32mm	25mm	1.5

Pack Joint for Plastic Pipe (PEP) Inlet by Meter Swivel Nut Outlet

CATALOG NUMBER	DESCRIPTION			APPROX. WT. KG
	VALVE SIZE	SERV. LINE	METER SIZE	
BA63-2W-20mm-BSPP	15mm	20mm	15mm	.73
BA63-3W-20mm-BSPP	20mm	20mm	20mm	.77
BA63-3W-25mm-BSPP	20mm	25mm	20mm	1.1
BA63-4W-32mm-BSPP	25mm	32mm	25mm	1.79

Padlock Wings on Angle Meter Valves

Angle Inverted Key Meter Valves

KV13-332W-BSPTBSPP



KV63-3W-25mm-BSPP



Female Iron Pipe Thread by Meter Swivel Nut

CATALOG NUMBER	VALVE SIZE	FBSPT INLET SIZE	METER SIZE	APPROX. WT. KG
KV13-331W-BSPTBSPP	20mm	20mm	15mm	.54
KV13-332W-BSPTBSPP	20mm	20mm	20mm	.59
KV13-342W-BSPTBSPP	20mm	25mm	20mm	.64
KV13-444W-BSPTBSPP	25mm	25mm	25mm	.86
KV13-454W-BSPTBSPP	25mm	32mm	25mm	.95

Pack Joint for Plastic Pipe (PEP) by Meter Swivel Nut

CATALOG NUMBER	VALVE SIZE	PACK JOINT INLET SIZE	METER SIZE	APPROX. WT. KG
KV63-3W-20mm-BSPP	20mm	20mm	15mm	.68
KV63-3W-25mm-BSPP	20mm	20mm	20mm	.73
KV63-3W-32mm-BSPP	20mm	32mm	20mm	1.0
KV63-4W-32mm-BSPP	25mm	32mm	25mm	1.22

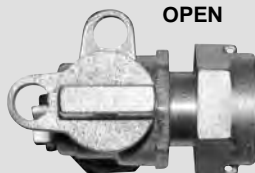
NOTE: "W" indicates valve is standard with Padlock Wings only.

NOTE: "WW" indicates double padlock wings for locking in either "on" or "off" position (optional).

What Are Padlock Wings?

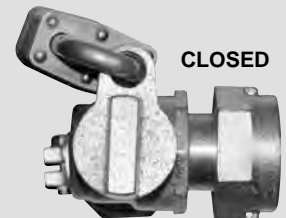
Inverted Key Meter Valves and Ball Meter Valves include padlock wings for locking the valve in a closed position.

The "W" at the end of the catalog number indicates the valve is standard with padlock wings.



OPEN

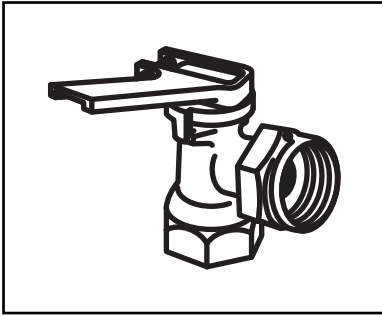
Top view of the valve in the open and closed positions.



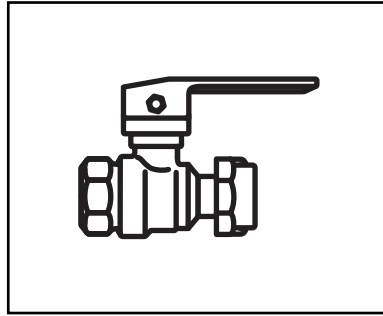
CLOSED

Accessories for Ball Valves

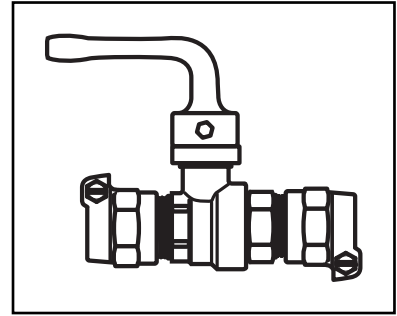
Handles Available for the Complete Line of Ford Ball and Inverted Key Valves



RHT-34 for 20mm and 25mm
Angle Key Valve



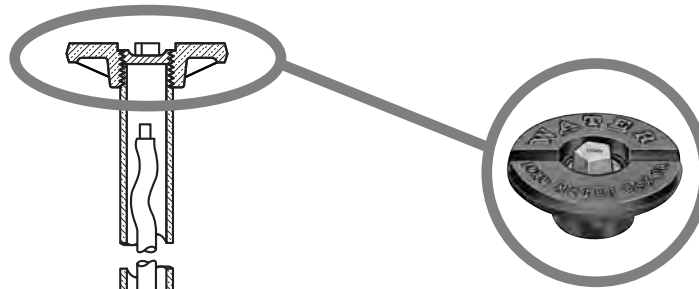
HB-2 for 20mm Ball Valves
Straight and Angle



HS-4 for 32mm - 50mm
Straight and Angle Ball Valves

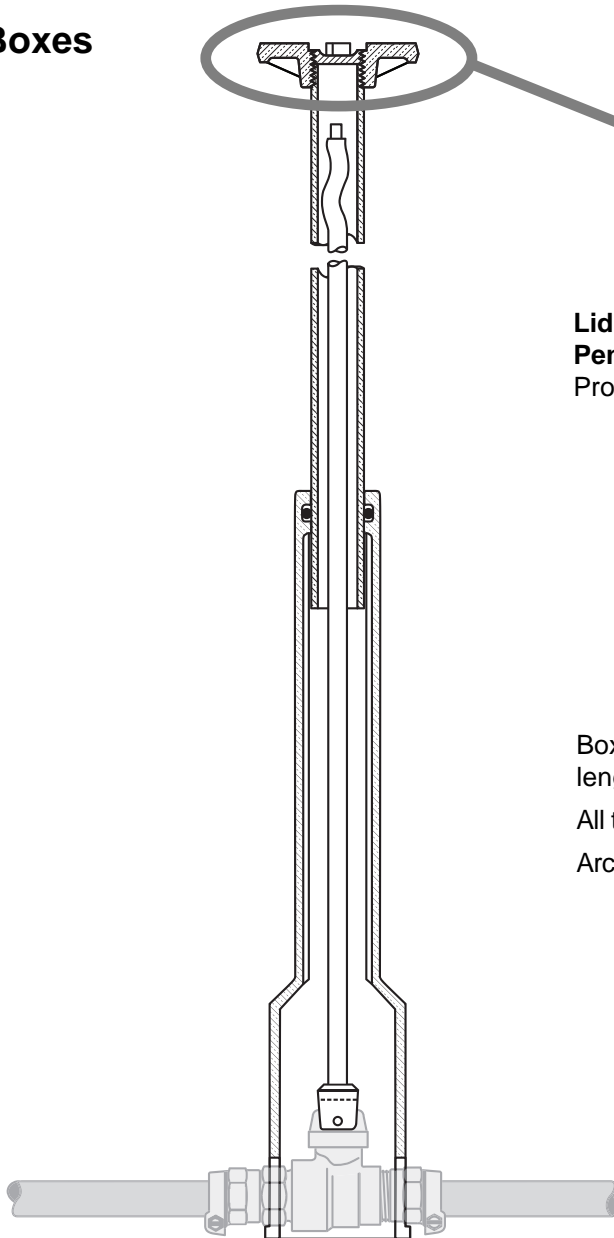
Contact factory for details.

Curb Boxes



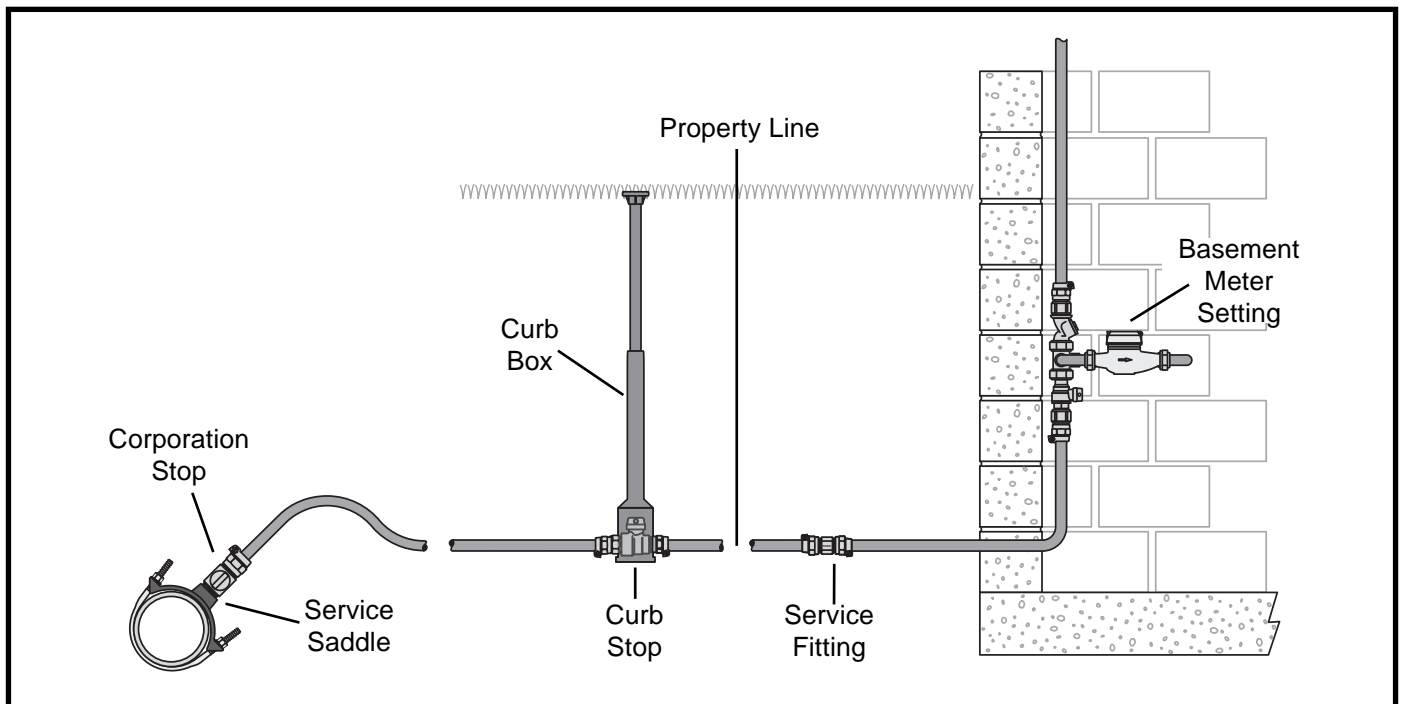
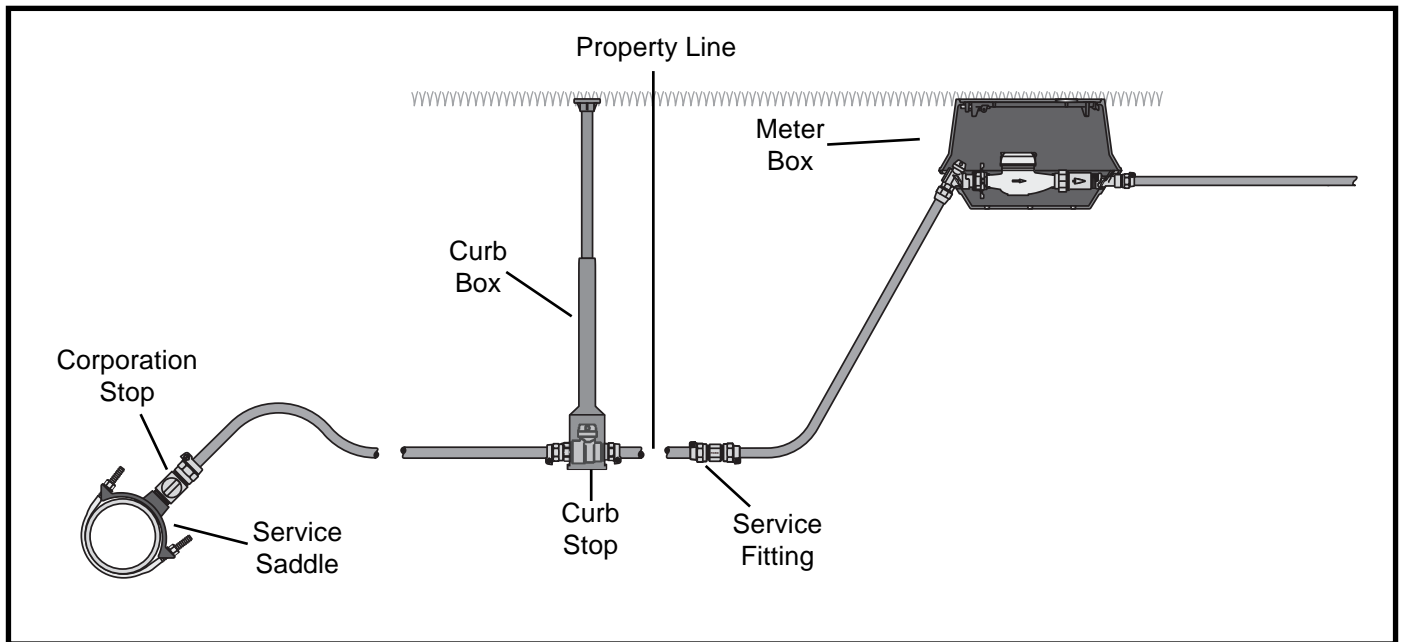
**Lid with 21mm (Standard) Brass
Pentagon Head Plug—**
Provides access to valve shut-off rod.

Boxes are available in eleven extended
lengths, ranging from 1 meter to 3 meters.
All telescope to 1 foot less than extended length.
Arch size large enough for 25mm Curb Stops.



Arch Pattern Curb Box

Typical Installations



Ford Insert Stiffeners



INSERT STIFFENERS

Ford recommends using insert stiffeners when using plastic pipe or tubing.

Ford insert stiffeners are solid tubular 304 stainless steel, flanged and dimpled to retain placement within the service line.

Contact factory for details.

Section **GM**

Ford Curb Stops and Meter Valves for Metric Pipe

For more information, contact



Warranty

All merchandise is warranted to be free from defects in materials and factory workmanship. We will provide, free of charge, new products in equal quantities for any that prove defective within one year from date of shipment from our factory. Manufacturer shall not be liable for any loss, damage, or injury, direct or consequential, arising out of the use of or the inability to use the product. Before using, user shall determine the suitability of the product for his intended use and user assumes all risk and liability whatever in connection therewith. No claims for labor or consequential damage will be allowed. The foregoing may not be changed except by agreement signed by an officer of the manufacturer.

Please Note:

Consult the Ford Meter Box Company, Inc. web site (www.fordmeterbox.com) for the most recent catalog information. The Ford Meter Box Company considers the information in this catalog to be correct at the time of publication. Item and option availability, including specifications, are subject to change without notice. Please verify that your product information is current.



The Ford Meter Box Co., Inc. 775 Manchester Avenue, P.O. Box 443, Wabash, Indiana, USA 46992-0443
Telephone: 260/563-3171 Overseas FAX: 260/563-0167 <http://www.fordmeterbox.com>