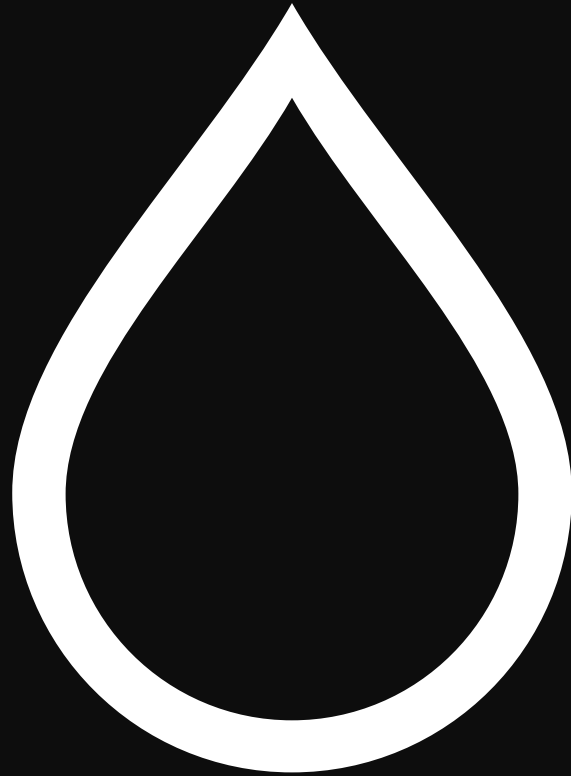


pure water



microlene



Why treat your water?

Unwelcome Organisms – Ultra Violet Treatment for Rainwater

Microscopic living organisms such as bacteria, mold, viruses and parasitic cysts (e.g. Giardia and Cryptosporidium) can thrive in untreated water supplies. Exposure to Ultra Violet light with the Microlene Aquashield system is a safe and very effective way to neutralise these unhealthy organisms from your drinking water.

Tainted Water – Filtration

Families seek different solutions; from simple taste and clarity issues through to a range of wider concerns. Water can be discoloured and tainted by dust, rust, sediment, algae, decaying organic matter and chemicals. It can also contain aluminum, lead, asbestos, chlorine and sediment.

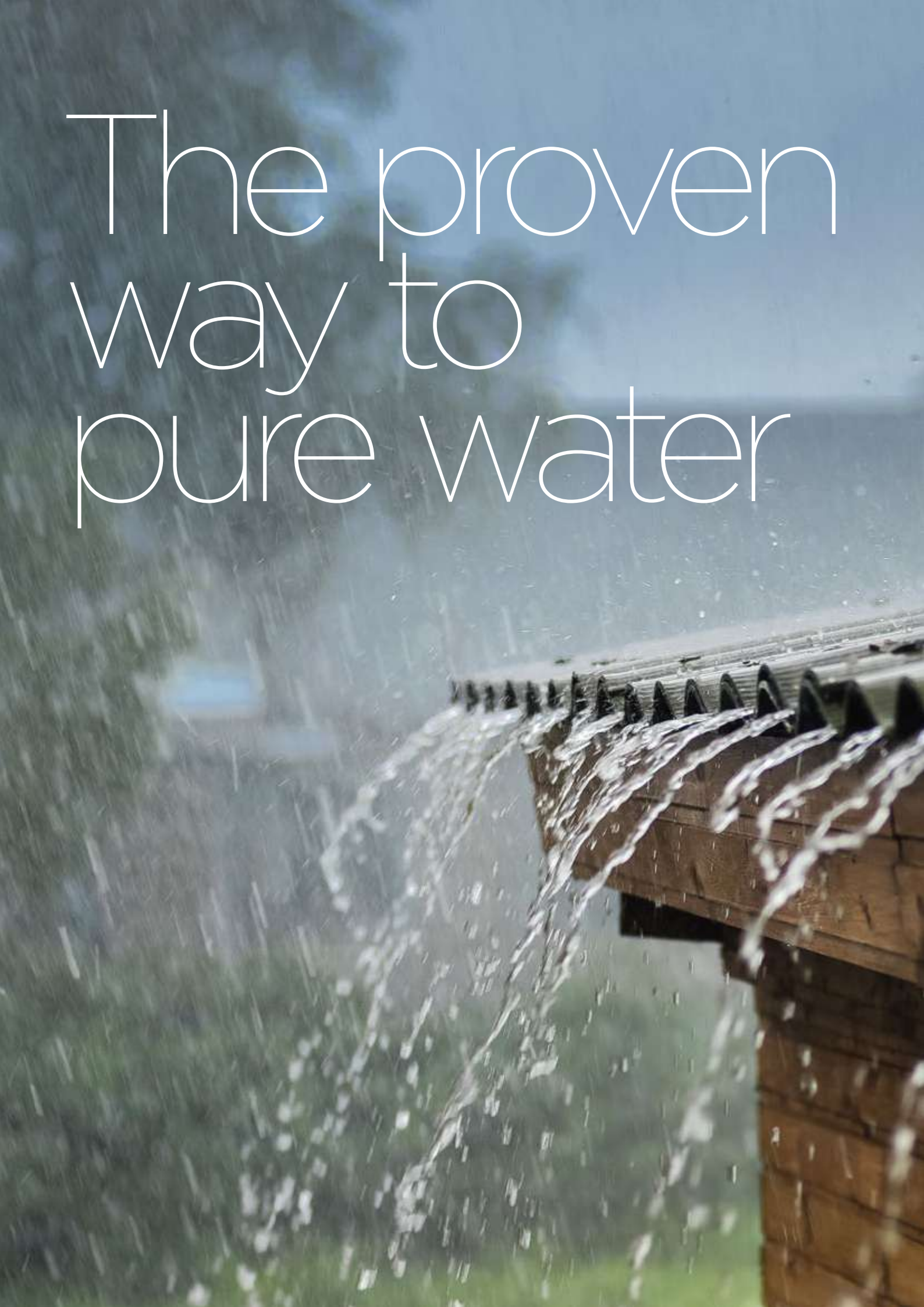
Microlene's superior range of water treatment solutions can swiftly clear these impurities by passing them through the correct filtering option.

Hard Water – Water Softening

Hard water can mean hard work in the kitchen, laundry and bathroom. Microlene has a specific range of water softeners by Kinetico which remove excess levels of dissolved chemicals such as calcium, magnesium, manganese and iron. This process delivers soft clean water that feels better, leaves clothes whiter and brighter and means you use less soap and detergent in your day-to-day washing.

Kinetico systems also reduce the build-up of scale in heated appliances, such as water heaters, dishwashers and washing machines, reducing the possibility of premature failure and costly repairs.

The proven
way to
pure water



Microlene
Special
Purpose
Filters

Heavy Metal Reduction (HM)

Microlene dual action filters contain granular carbon as well as KDF oxidation/reduction to significantly reduce aluminium, lead, heavy metal contamination, taste, odour, chlorine, pesticides, organics and THMs.

KDC10



Fluoride Reduction (FR)

These dual action filters contain granular carbon as well as pre-conditioned Activall, a fluoride selective media. The cartridge can also reduce fluoride, arsenic, taste, odour, chlorine, pesticides and THMs.

AFAC10



Arsenic Reduction (AR)

Microlene arsenic reduction cartridges contain a ferric oxide media which can significantly reduce arsenic (III), arsenic (IV), zinc and most heavy metals.

ARC10



Water Softening Systems

Microlene Water Softeners – technology by Kinetico

Hard water is naturally occurring and contains excess levels of dissolved minerals such as calcium, magnesium, manganese and iron. Microlene's water softeners are an easy solution offering an uninterrupted supply of soft water to the home using a non-electric system.

The system backwashes without ever going offline for round the clock operation, no interruptions for regeneration. It also measures water use to precisely determine when it's time to regenerate, resulting in up to 20% less waste water and up to 40% savings in salt.



▲ Microlene Water Softener
Technology by Kinetico

How softening works

Excess levels of dissolved chemicals such as calcium, magnesium, manganese and iron are removed from water in a simple process called ion exchange.

1.

A resin bead bed inside the softener is loaded with sodium ions sourced from a concentrated brine solution.

2.

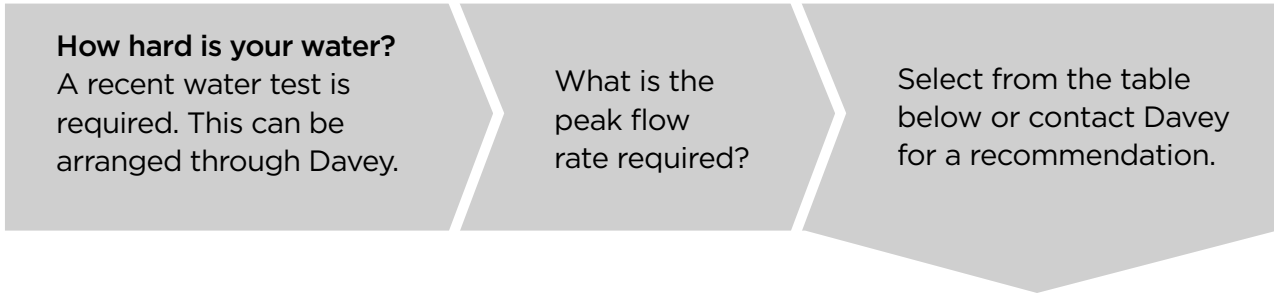
The hard water is passed over the resin beads attracting calcium and other minerals replacing them with sodium ions in the supply.

3.

Once the resin beads have reached maximum capacity, the system undertakes regeneration with a brine solution, flushing away the hardness and recharging the resin to begin the process again.

Selecting a System

The selection of an efficient softener for water requires matching these parameters to suit your application:



Microlene Water Softener System Selection Guide

Specifications	SUMOII*	KM2020CHF*	KM2025S	KM2060S	KM2060SOD
Peak Flow Rate	45 lpm	51 lpm	45 lpm	68 lpm	114 lpm
Service Flow Rate	35 lpm	34 lpm	30 lpm	44 lpm	78 lpm
Maximum Hardness	850mg/L	342mg/L	428mg/L	1129mg/L	513mg/L
Regeneration Time	18 minutes	11 minutes	29 minutes	45 minutes	45 minutes
Maximum Iron (ferrous)	0mg/L	0mg/L	2mg/L	6mg/L	6mg/L
Maximum Salt Use Per Regeneration	0.59kg	0.34kg	0.6kg	2.0kg	2.0kg
Maximum Litres Processed Before Regeneration	2687 lpm	2207 lpm	2771 lpm	4743 lpm	12000 lpm
Maximum Continuous Flow to Storage	N/R	N/R	30* lpm	44* lpm	79* lpm

*Mains water models only

Hardness	Total Hardness level mg/L CaCO ₂	Disc number / water produced between regeneration (litres) (Note: Does not apply to SUMOII)			
Moderately Hard	20-60	1 / 2,207	1 / 2,771	1 / 4,743	1 / 12,000
Hard	60-120	2 / 1,105	2 / 1,385	1 / 4,743	2 / 6,000
Very Hard	120-180	3 / 734	3 / 924	2 / 2,373	3 / 4,000
Very, Very Hard	180-250	4 / 553	4 / 693	4 / 1,185	4 / 3,000
Extremely Hard	Over 250	4 / 553	5 / 553	4 / 1,185	5 / 2,400

Note: Maximum litres assumes minimum hardness. Subject to disc selection - refer to technical datasheet



Microlene Quick Connect Under Bench Systems

Reduce unwanted contaminants that affect the taste and odour of your drinking water with a Microlene purified drinking water system. Our cartridges last up to three years and are more cost effective than regular cartridges that require replacement every three to six months.

Microlene purifiers have been independently tested to remove 99.94% Cryptosporidium cysts and comply with AS/NZ 4348:1995 Domestic Water Treatment Appliances. There are two types: Urban (mains water) and Rural (rainwater).

Microlene Standard Connection Purifiers can be used as replacements for all under bench systems irrespective of brand.

Microlene Under Bench Kits include a high quality chrome benchtop tap, long life Microlene filter and full installation kit.

Our range covers suitability for purifying mains water (with KDF media for heavy metal and chlorine reduction) and for purifying rainwater (cyst reduction).



Microlene Quick Connect Under Bench System Kit
WaterMark Certified – License number 02596

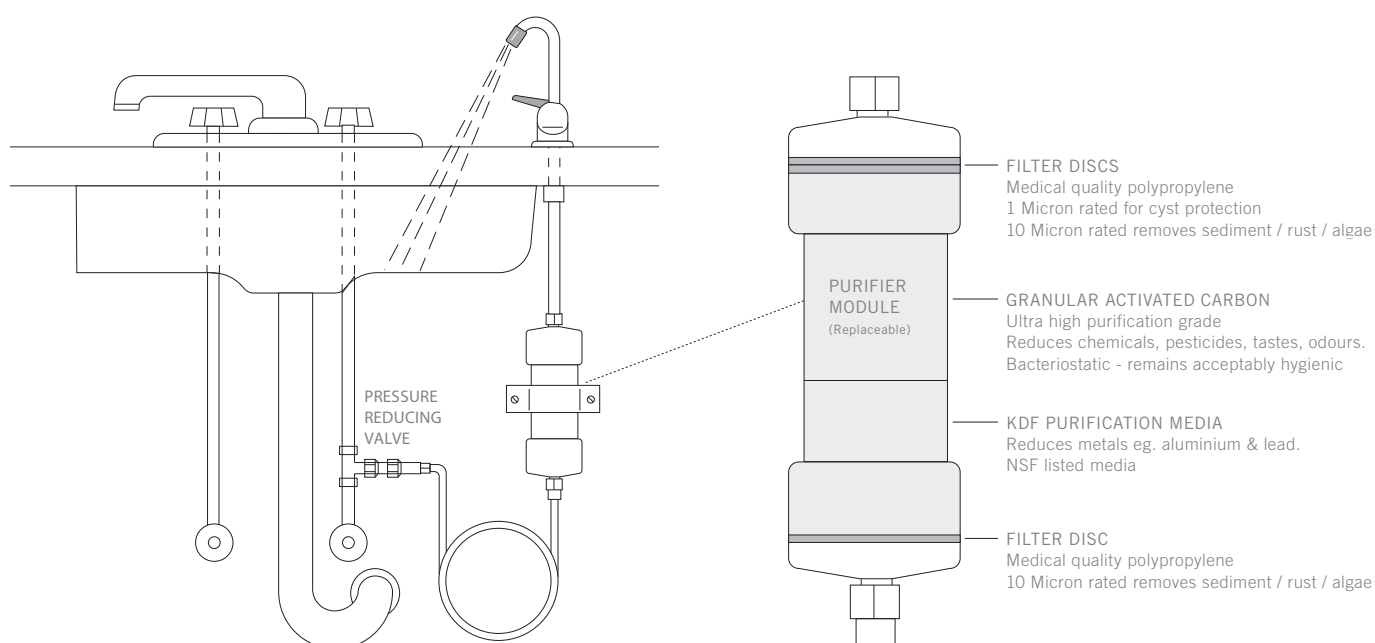
Microlene Quick Connect Under Bench Systems

INSTALLATION GUIDE

INSTALLATION INSTRUCTIONS: (REQUIRES DRILL + SPANNER)

1. Drill a 7/16" or 11mm clearance hole for mounting faucet.
2. Install faucet.
3. Shut off cold water supply.
4. Install 'T' piece (not supplied) into cold water supply.
Mount combined Dual Check Valve and Pressure Reduction Valve to 'T' piece.
5. Install purifier module and plastic tubing as illustrated. Securely mount purifier to inside wall with U-clamp and screw.
6. Turn on water supply, run 40 litres through the purifier to activate it.
Check for leaks, retighten as necessary.

NOTE: Installation by qualified Plumber only. This system should only be used with water that is microbiologically safe. i.e has been treated with chlorine, Aquasafe or UV light.



WARRANTY: Your Microlene Water Purifier is guaranteed against defective materials and workmanship.

Australia: Davey Water Products Pty Ltd | 6 Lakeview Drive, Scoresby, VIC 3179 | Ph: +613 9730 9222

Customer Service Centre Ph: 1300 367 866

New Zealand: Contamination Control Limited | PO Box 14641 Auckland 1741 | Ph: (09) 570 9135 | Customer Service Centre Ph: 0800 654 333

DAVEY



microleone

www.moosa-daly.com

Abu Dhabi | Al Ain | Dubai | Sharjah
02 643 7220 | 03 784 0852 | 04 328 5976 | 06 5584405



موسى - ديلي
moosa-daly

Exclusive distributor of Davey Water Products since 1969



microlene.com.au | 1300 232 839 | microlene.co.nz | 0800 654 333