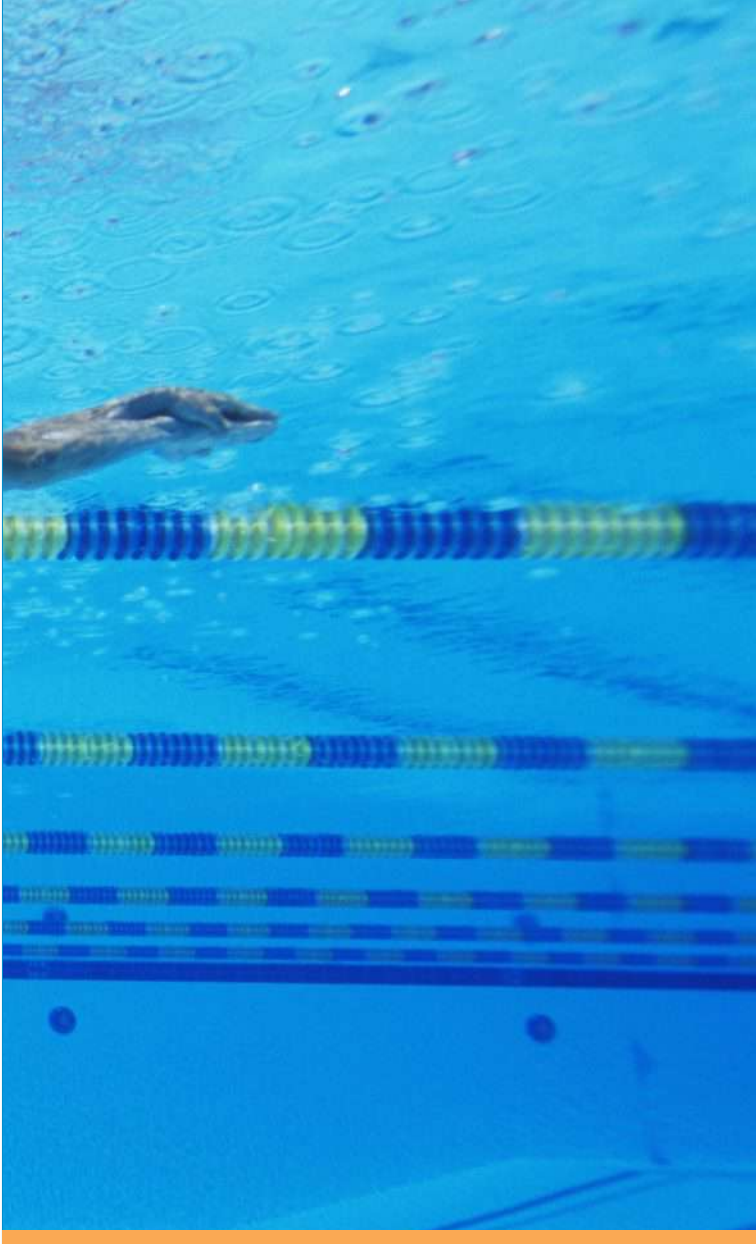




3

Pumps & Counter Current



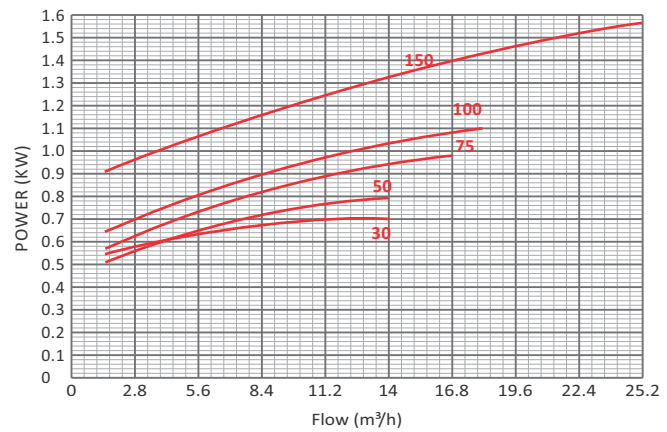
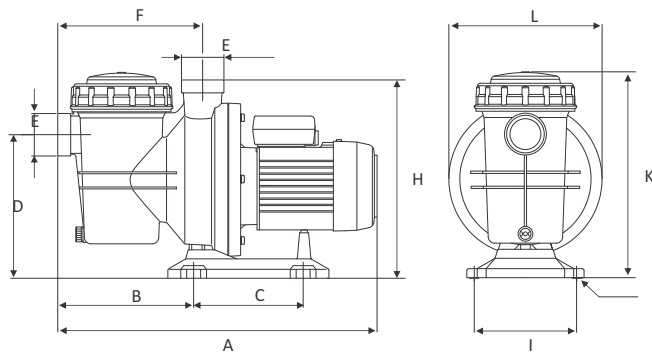
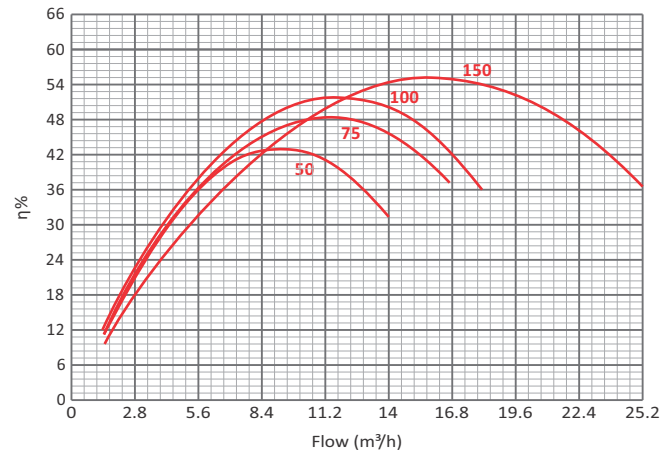
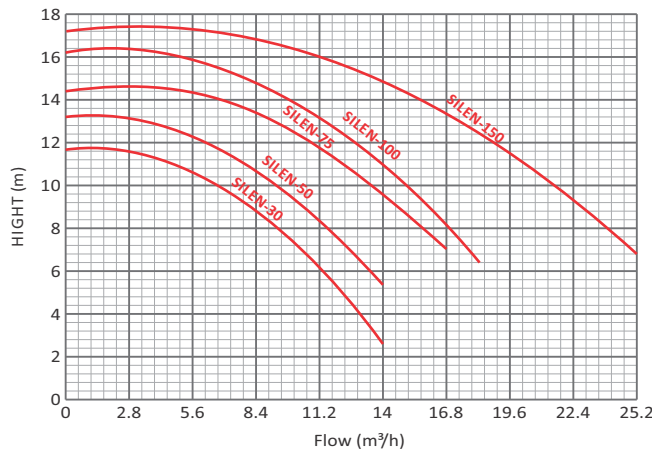
INDEX	Page
1- SELF PRIMING PUMP "SILEN"	30
2- SELF PRIMING PUMP "SILEN 2"	31
3- SELF PRIMING PUMP "MCB" 2900 r.p.m.	32
4- SELF PRIMING PUMP "MJB" 2900 r.p.m.	33
5- SELF PRIMING PUMP "EUROPRO"	34
6- SELF PRIMING PUMP "BCP"	35
7- CENTRIFUGAL PUMP 2900 r.p.m. IN CAST IRON & BRONZE	36
8- PUMP IN CAST IRON 1450 r.p.m. IN CAST IRON	37
9- CENTRIFUGAL PUMP "FG"	38
10- AQUA NEW PREASSEMBLED COMPLETE BUNKER ROOM	39
11- STAINLESS STEEL PREFILTERS	41
12- CAST IRON PRE FILTER	42
13- SUBMERSIBLE PUMP	43
14- COMPLETE FILTRATION SYSTEM	43
15- COUNTER CURRENT PUMP "PCC" 2900 r.p.m.	44
16- COUNTER CURRENT NOZZLE	45
17- CONTROL PANEL	45
18- ELECTRONIC CONTROL BOX T CONTROL	46

Pumps & Counter Current

1- SELF PRIMING PUMP "SILEN"



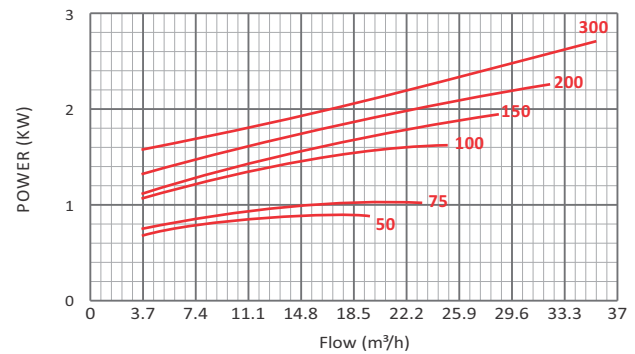
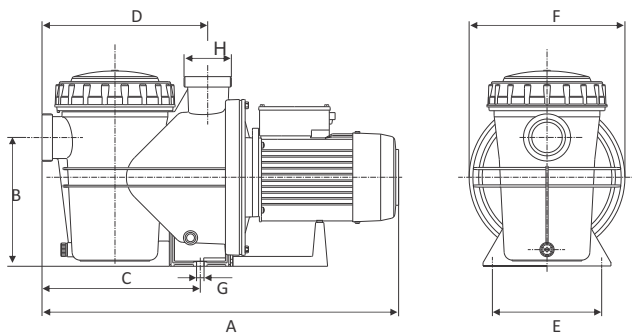
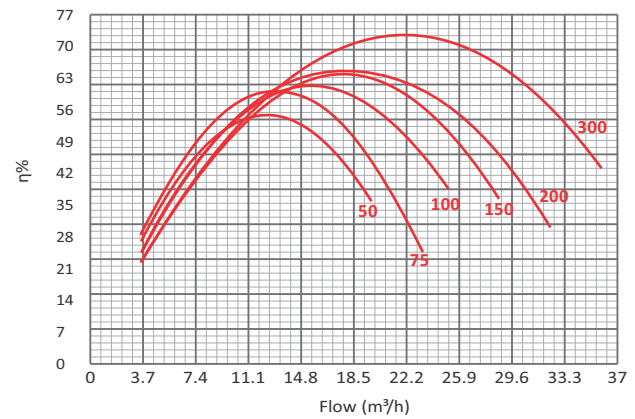
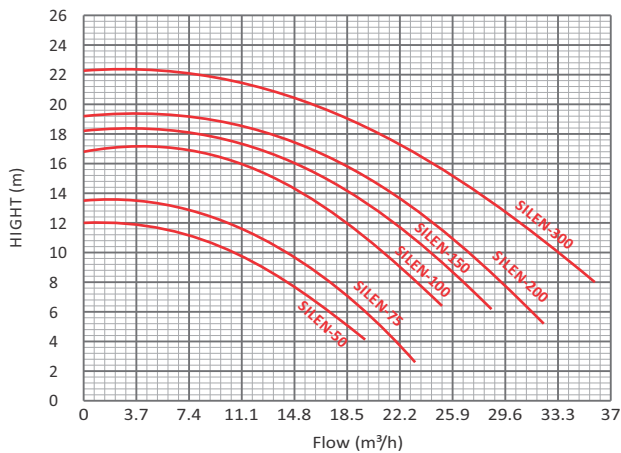
- Single-stage centrifugal pumps, self-priming, complete with prefilter.
- Pump body, pump foot, diffuser, impeller and seal mounting in tecnopolimer.
- Motor shaft in stainless steel AISI 420.
- O'rings in NBR.
- IP 55 protection.
- Class F insulation.
- Continuous operation.
- Single phase version built-in thermal protection.
- 2900 r.p.m.
- Mechanical seal in graphite and aluminum.
- Motor housing in aluminum.
- Pump can be supplied 60Hz on demand.



	CODE	POWER		DIMENSIONS										PACKING WEIGHT VOLUME			
		HP	kW	A	B	C	D	E	F	H	I	J	K	L	kg	m ³	
230 V - 50 Hz	SILEN-30 M	0.6	0.44	495	211	170	225	2 1/4"	225	308	159	∅9	319	238	1	8.9	0.04
	SILEN-50 M	0.6	0.44	495	211	170	225	2 1/4"	225	308	159	∅9	319	238	1	8.9	0.04
	SILEN-75 M	0.75	0.55	495	211	170	225	2 1/4"	225	308	159	∅9	319	238	1	10.2	0.04
	SILEN-100 M	1.0	0.75	495	211	170	225	2 1/4"	225	308	159	∅9	319	238	1	10.9	0.04
	SILEN-150 M	1.5	1.1	495	211	170	225	2 1/4"	225	308	159	∅9	319	238	1	13.5	0.04
230/400 V - 50 Hz	SILEN-50	0.6	0.44	495	211	170	225	2 1/4"	225	308	159	∅9	319	238	1	8.9	0.04
	SILEN-75	0.75	0.55	495	211	170	225	2 1/4"	225	308	159	∅9	319	238	1	10.2	0.04
	SILEN-100	1.0	0.75	495	211	170	225	2 1/4"	225	308	159	∅9	319	238	1	10.9	0.04
	SILEN-150	1.5	1.1	495	211	170	225	2 1/4"	225	308	159	∅9	319	238	1	13.5	0.04

2- SELF PRIMING PUMP "SILEN 2"

- Single-stage self-priming, centrifugal pumps, complete with prefilter.
- Pump body, pump foot, diffuser, impeller and seal mounting in tecnopolimer.
- Motor shaft in stainless steel AISI 420.
- O rings in NBR.
- IP 55 protection.
- Class F insulation.
- Continuous operation.
- Single phase version built-in thermal protection.
- 2900 r.p.m.
- Mechanical seal in graphite and aluminum.
- Motor housing in aluminum.
- Pump can be supplied 60Hz on demand.



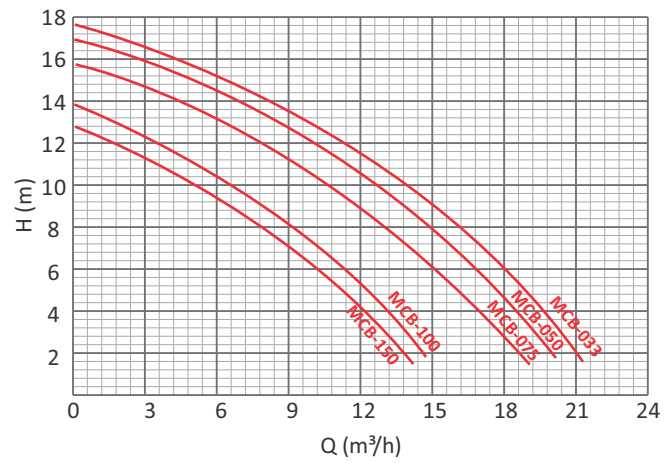
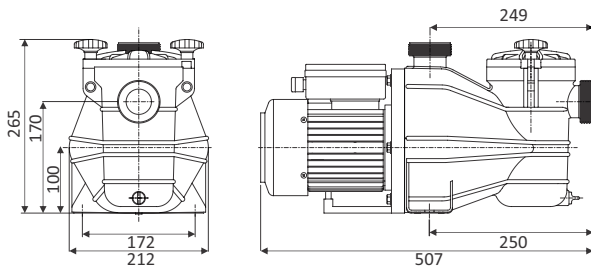
	CODE	POWER		DIMENSIONS								PACKING WEIGHT VOLUME		
		HP	kW	A	B	C	D	E	F	G	H	kg	m ³	
230 V - 50 Hz	SILEN2-50 M	0.75	0.55	623.5	222	272	285	188	268	Ø13	2¾"	1	14	0.06
	SILEN2-75 M	0.75	0.55	623.5	222	272	285	188	268	Ø13	2¾"	1	14	0.06
	SILEN2-100 M	1.25	0.92	623.5	222	272	285	188	268	Ø13	2¾"	1	15	0.06
	SILEN2-150 M	1.5	1.1	623.5	222	272	285	188	268	Ø13	2¾"	1	18	0.06
	SILEN2-200 M	2.0	1.5	623.5	222	272	285	188	268	Ø13	2¾"	1	21	0.06
	SILEN2-300 M	3.0	2.2	623.5	222	272	285	188	268	Ø13	2¾"	1	23	0.06
230/400 V - 50 Hz	SILEN2-50	0.75	0.55	623.5	222	272	285	188	268	Ø13	2¾"	1	14	0.06
	SILEN2-75	0.75	0.55	623.5	222	272	285	188	268	Ø13	2¾"	1	14	0.06
	SILEN2-100	1.25	0.92	623.5	222	272	285	188	268	Ø13	2¾"	1	15	0.06
	SILEN2-150	1.5	1.1	623.5	222	272	285	188	268	Ø13	2¾"	1	18	0.06
	SILEN2-200	2.0	1.5	623.5	222	272	285	188	268	Ø13	2¾"	1	21	0.06
	SILEN2-300	3.0	2.2	609.5	222	272	285	188	268	Ø13	2¾"	1	23	0.06

Pumps & Counter Current



3- SELF PRIMING PUMP "MCB" 2900 r.p.m.

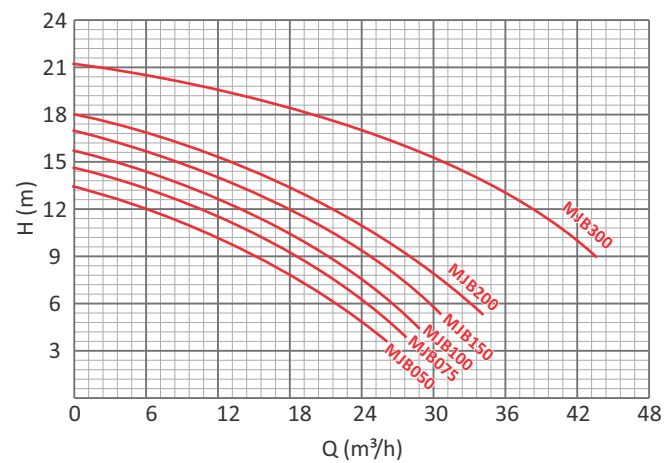
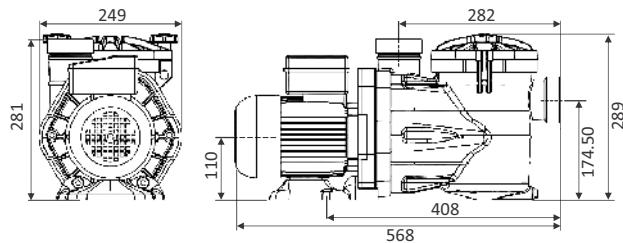
- Very high hydraulic efficiency.
- Big incorporated detachable pre filter basket.
- Transparent lid to bolt on.
- Totally covered balanced 316-L stainless steel shaft.
- Resin motor IP 55 - Class F.
- Single-phase pump with plug and thermal protector.
- Anti-explosion capacitor P2.
- 100% 304-L stainless steel bolts and screws.
- Resistant to salt treatment and sea water.
- Single/Three phase with thermal protector.
- Pump can be supplied 60Hz on demand.



CODE	POWER		INTENSITY	TENSION	MEC	UNIONS	PACKING WEIGHT VOLUME		
	HP	kW					A	50 Hz	mm
MCB-033M MCB-033T	0.33	0.24	2.7	230	71	Ø 50mm	1	12.4	0.035
MCB-050M MCB-050T	0.50	0.37	2.9	230	71	Ø 50mm	1	12.9	0.035
MCB-075M MCB-075T	0.75	0.55	3.8	230	71	Ø 50mm	1	13.3	0.035
MCB-100M MCB-100T	1.00	0.74	4.4	230	71	Ø 50mm	1	13.7	0.035
MCB-150M MCB-150T	1.50	1.10	4.6	230	71	Ø 50mm	1	14.0	0.035

4- SELF PRIMING PUMP "MJB" 2900 r.p.m.

- Supplied with unions: 50 mm or 63 mm, thread 2"3/4 : suction and discharge.
- Ultra-silent pump.
- 100% 304-L stainless steel screws.
- Totally covered balanced 316-L stainless steel shaft
- Double sealing bearing.
- Body in resistant composite materials.
- Resin motor IP 55 - Class F.
- Anti-explosion P2 capacitor.
- Resistant to salt treatment and sea water.
- Single/Three phase with thermal protector.
- Pump can be supplied 60Hz on demand.



CODE	POWER		INTENSITY	TENSION	MEC	UNIONS	PACKING WEIGHT VOLUME		
	HP	kW					A	50 Hz	mm
MJB-050M	0.50	0.37	4.3	230	71	Ø 50mm	1	15	0.050
MJB-050T			3.5/2	230/400				14	
MJB-075M	0.75	0.55	4.5	230	71	Ø 50mm	1	15	0.050
MJB-075T			3.5/2	230/400				14	
MJB-100M	1.00	0.74	5	230	71	Ø 50mm	1	16	0.050
MJB-100T			3.7/2.1	230/400				15	
MJB-150M	1.50	1.10	6	230	71	Ø 63mm	1	16	0.051
MJB-150T			4.4/2.5	230/400				15	
MJB-200M	2.00	1.46	6.3	230	80	Ø 63mm	1	18	0.051
MJB-200T			5.2/3	230/400				17	
MJB-300M	3.00	2.19	11	230	80	Ø 63mm	1	20	0.054
MJB-300T			7.3/4.2	230/400				18.5	

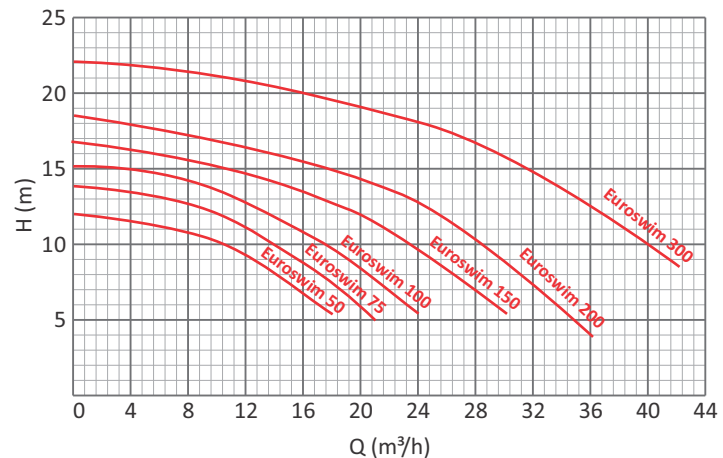
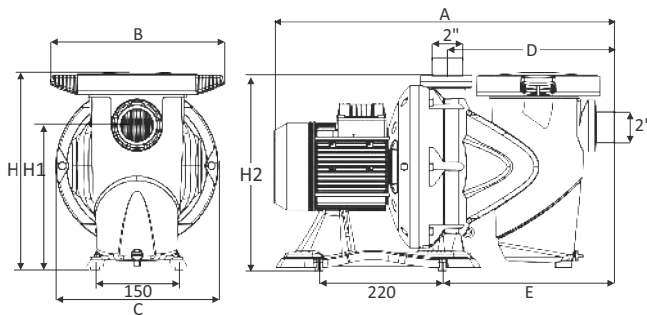
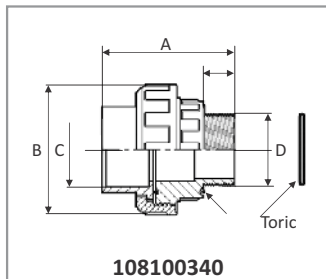
Pumps & Counter Current



ENERGY EFFICIENCY **IE2**

5- SELF PRIMING PUMP "EUROPRO"

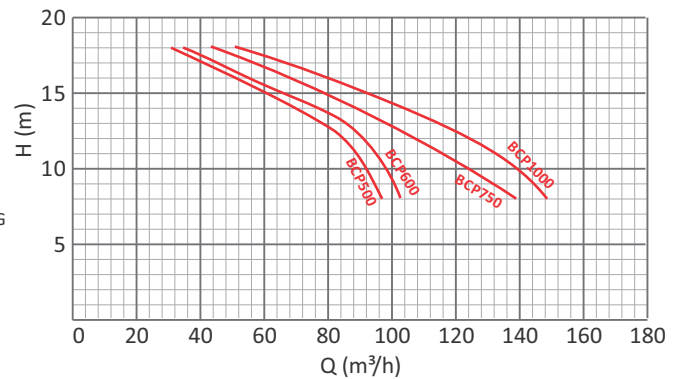
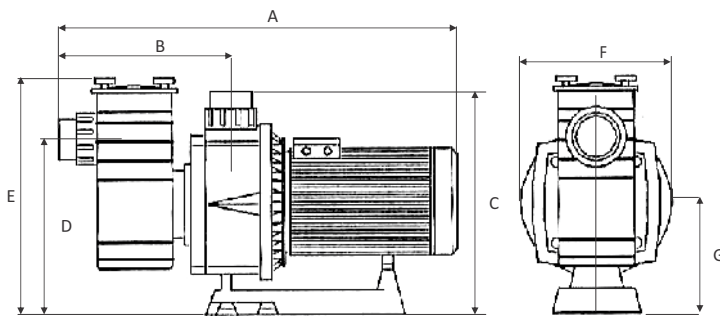
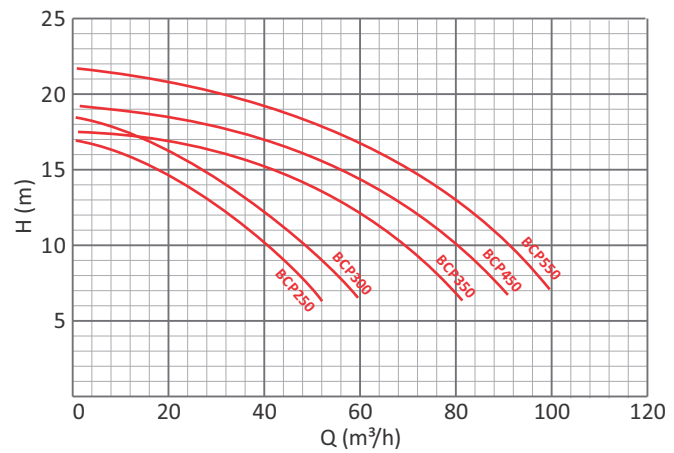
- High efficiency self-priming centrifugal pumps with builtin large capacity prefilter.
 - Extremely quiet running and great reliability, developed for water circulation and filtration in domestic and residential swimming pools.
 - Suitable also for special applications that call for handling of aggressive liquids, in fish farms, agriculture and industry.
 - Pump body in fibreglass reinforced technopolymer.
 - Strainer cover in clear antioxidant polycarbonate to guarantee constant visibility through time.
 - Nylon strainer. Impeller in fibreglass-reinforced technopolymer developed to ensure total coverage and isolation of the motor shaft from the pumped liquid.
 - Diffuser in reinforced technopolymer. Mechanical seal in carbon/alumina/NBR/AISI 316.
 - Pump body O-rings in NBR, threaded fasteners and reinforcing rings in AISI 304.
 - Butterfly drain plugs that can be removed and refitted without tools.
 - Asynchronous continuous duty 2-pole motor (S1) with generous range of power ratings from 0.5 HP to 3 HP, single phase and three-phase .
 - Motor casing in die cast aluminium with electrophoresis surface treatment to prevent oxidation even in aggressive environmental conditions.
 - Baseplate supplied as standard with rubber mounts to reduce vibration transmission.
 - Single phase version with integral thermal and over current protection and permanent split capacitor (PSC), assembled inside the terminal box for all versions.
 - Motor and terminal box protection rating: IP55
 - Insulation class: F
 - Standard voltage: Single phase 220-240V 50Hz
 - Three-phase 230/400V 50Hz
 - Operating range: up to 42 m³/h with pressure head of up to 22 m
 - Maximum operating pressure: 2,5 bar
- * Note: Pump can be supplied 60Hz on demand



CODE	VOLTAGE 50 Hz	POWER HP kW	CONN.	MAX NOISE LEVEL db (A)	DIMENSIONS								PACKING WEIGHT VOLUME		
					A	B	C	D	E	H	H1	H2	kg	m ³	
EUROPRO 50 M	1X220-240V~	0.33 0.5	2"	53	536	242	242	257	265	351	222	314	1	11.1	0.086
EUROPRO 75 M	1X220-240V~	0.5 0.75	2"	56	552	242	245	257	265	351	222	314	1	12.1	0.086
EUROPRO 75 T	3X230-400V~	0.5 0.75	2"	56	552	242	245	257	265	351	222	314	1	12.1	0.086
EUROPRO 100 M	1X220-240V~	0.75 1	2"	57	552	242	245	257	265	351	222	314	1	13.8	0.086
EUROPRO 100 T	3X230-400V~	0.75 1	2"	57	552	242	245	257	265	351	222	314	1	13.8	0.086
EUROPRO 150 M	1X220-240V~	1.1 1.5	2"	59	574	250	290	267	274	387	258	350	1	17.9	0.10
EUROPRO 150 T	3X230-400V~	1.1 1.5	2"	59	574	250	290	267	274	387	258	350	1	16.7	0.10
EUROPRO 200 M	1X220-240V~	1.5 2	2"	62	648	250	290	267	274	387	258	350	1	20	0.10
EUROPRO 200 T	3X230-400V~	1.5 2	2"	62	574	250	290	267	274	387	258	350	1	17.6	0.10
EUROPRO 300 T	3X230-400V~	2.2 3	2"	64	648	252	292	267	274	387	258	350	1	19.9	0.10
108100340					99	99	50/63	2"	20	-	-	-	1	23.9	-

6- SELF PRIMING PUMP "BCP"

- Self-priming centrifugal pump for swimming pools.
- High capacity pre-filter (8/14 L).
- Thermo setting plastics or noryl charged with fiber glass hydraulic body.
- Lowerable cover screws with stainless steel studs.
- Impeller and flange in noryl charged with fiber glass.
- Motor: IP 54 protection, 230V/400V isolation class F, 50 Hz 2850 rpm.
- Employment limit: water temperature 50°C, pressure 2 bar.
- 60Hz on demand.



CODE	POWER		CONNECTIONS mm	DIMENSIONS							PACKING WEIGHT VOLUME		
	HP	kW		A	B	C	D	E	F	G	kg	m ³	
BCP250M	2.5	2.3	90	760	399	465	409	541	291	230	1	25.5	0.15
BCP300M	3	2.76	90	760	399	465	409	541	291	230	1	26.2	0.15
BCP250	2.5	2.3	90	760	399	465	409	541	291	230	1	25.5	0.15
BCP300	3	2.76	90	760	399	465	409	541	291	230	1	26.2	0.15
BCP350	3.5	3.26	90	801	399	465	409	541	291	230	1	28.5	0.15
BCP450	4.5	4.04	90	801	399	465	409	541	291	230	1	30.5	0.15
BCP550	5.5	4.71	90	815	399	465	409	541	291	230	1	35.5	0.15
BCP500	5.5	4.71	110	869	446	546	526	583	357	265	1	39	0.21
BCP600	6.5	5.57	110	869	446	546	526	583	357	265	1	40	0.21
BCP750	7.5	6.42	110	914	446	546	526	583	357	265	1	46	0.21
BCP1000	10	8.56	110	944	446	546	526	583	357	265	1	55	0.21

Pumps & Counter Current



7- CENTRIFUGAL PUMP 2900 r.p.m. IN CAST IRON & BRONZE

Applications:

A large volume centrifugal pump, to which a pre-filter has been applied in the inlet, making these the ideal pumps for large filtering units. The bronze version is ideal for sea water and automatic pool systems that use salt electrolysis as a means of disinfecting.

Constructive Characteristics:

- **Cast iron version:** Pump body, pre-filter, coupling and impeller in cast iron. Shaft and pre-filter sieve in AISI 316 stainless steel. Mechanical seal in carbon-ceramic. On request, the impeller may be in bronze and the mechanical seal in silicon carbide or tungsten carbon.
- **Cast bronze version:** Pump body, pre-filter, support and impeller DIN-1705 RG 5 bronze (G-CuSn 5 ZnPb). Shaft, pre-filter sieve and bolts in AISI 316 stainless steel. Cast iron coupling. Mechanical seal in carbon-ceramic and AISI 316 stainless steel. On request, these pumps may be supplied in any other bronze alloy.

Maintenance:

These pumps are easy and simple to maintain, as the construction of the pump, which includes a totally standard motor, allows the motor to be changed or repaired without emptying the installation, even when you do not have pump inlet and outlet valves, or removing any part from the hydraulic section.

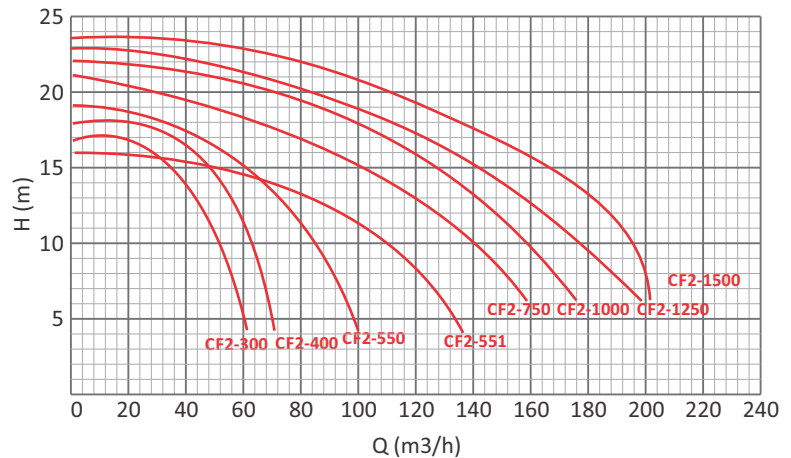
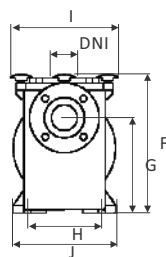
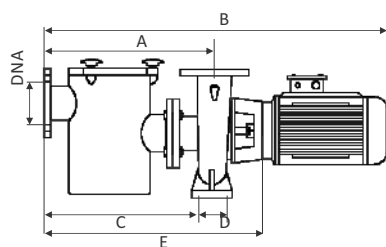
Motor:

Standard asynchronous motor, sealed from external ventilation. Its standard construction allows it to be replaced with another standard motor at any time and in any place.

Protection IP-55. 2 poles 50Hz (60 Hz on demand).

230/400V.

Bronze impeller on demand.



CODE		POWER		CONNECTIONS (DNA - DNI) mm	DIMENSIONS										PACKING	WEIGHT kg	VOLUME m ³
CAST IRON	BRONZE	HP	kW		A	B	C	D	E	F	G	H	I	J			
CF2-300	BR2-300	3	2.2	80	465	880	425	80	605	410	275	200	320	250	1	75 - 90	0.27
CF2-400	BR2-400	4	3	80	465	910	425	80	605	410	275	200	320	250	1	79 - 96	0.27
CF2-550	BR2-550	5.5	4	125-100	500	985	455	105	635	435	280	215	330	280	1	104 - 124	0.30
CF2-551	BR2-551	5.5	4	125-100	500	985	455	105	635	435	280	215	330	280	1	104 - 124	0.30
CF2-750	BR2-750	7.5	5.5	125-100	500	1050	455	105	675	435	280	215	330	280	1	121 - 140	0.30
CF2-1000	BR2-1000	10	7.5	125-100	525	1095	470	120	725	465	325	275	345	330	1	140 - 163	0.30
CF2-1250	BR2-1250	12.5	9.2	125-100	525	1130	470	120	725	465	325	275	345	330	1	148 - 163	0.30
CF2-1500	BR2-1500	15	11	125-100	525	1130	470	120	725	465	325	275	345	330	1	148 - 168	0.30

8- CENTRIFUGAL PUMP 1450 r.p.m. IN CAST IRON

Applications:

A large volume centrifugal pump, to which a pre-filter has been applied in the inlet, making these the ideal pumps for large filtering units. The fact that the pump works with a 4 poles motor makes it very quiet and long lasting.

Constructive Characteristics:

Pump body, support, pre-filter and impeller in cast iron. Shaft-coupling and pre-filter sieve in AISI 316 stainless steel. Mechanical seal in carbon - silicon carbide. On demand the CF-4 pump range may be supplied with bronze impeller (standard in cast iron) or with other versions of mechanical seal, such as : tungsten carbon, AISI 316, epdm, viton etc...

Maintenance:

These pumps are easy and simple to maintain, as the construction of the pump, which includes a totally standard motor allows the motor to be changed or repaired without emptying the installation, even when you do not have pump inlet and outlet valves, or removing any part from the hydraulic part of the pump.

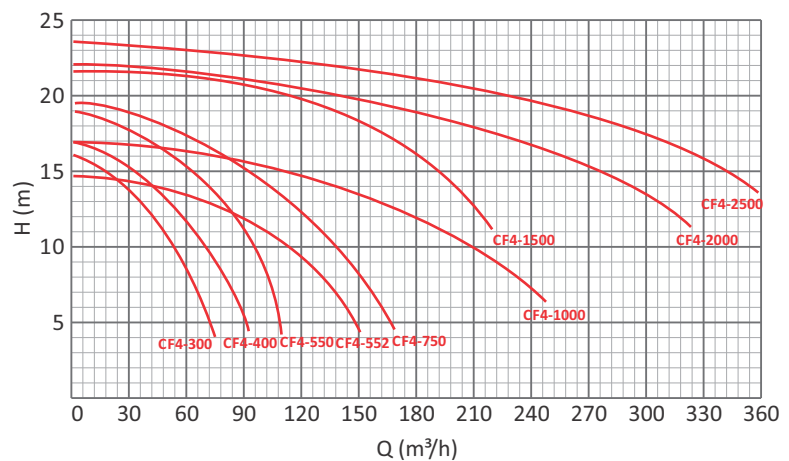
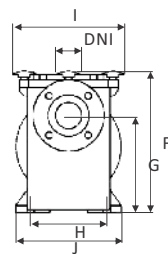
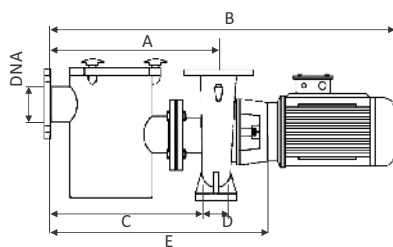
Motor:

Standard asynchronous motor, sealed from external ventilation. Its standard construction allows it to be replaced with another standard motor at any time and in any place.

Protection IP-55. 2 poles 50Hz (60 Hz on demand).

230/400V.

Bronze impeller on demand.



CODE	POWER		CONNECTIONS (DNA - DNI) mm	DIMENSIONS										PACKING WEIGHT VOLUME		
	HP	kW		A	B	C	D	E	F	G	H	I	J	kg	m ³	
CF4-300	3	2.2	65-50	465	979	430	70	639	360	224	212	265	302	1	94	0.27
CF4-400	4	3	80-65	442	998	398	95	616	450	310	250	320	333	1	105	0.27
CF4-550	5.5	4	80-65	442	1021	398	95	616	450	310	250	320	333	1	110	0.30
CF4-552	5.5	4	100-80	490	1138	443	95	733	430	246	280	345	365	1	140	0.30
CF4-750	7.5	5.5	100-80	490	1248	443	95	733	430	246	280	345	365	1	155	0.30
CF4-1000	10	7.5	125-100	500	1258	440	120	743	480	310	280	360	392	1	176	0.25
CF4-1500	15	11	125-100	515	1413	455	120	788	505	335	315	400	424	1	272	0.31
CF4-2000	20	15	150-125	585	1528	525	120	858	611	440	315	400	472	1	355	0.46
CF4-2500	25	18.5	150-125	585	1558	525	120	858	611	440	315	400	472	1	385	0.47

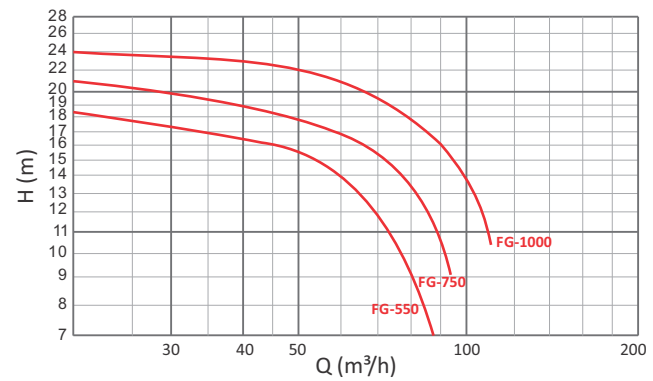
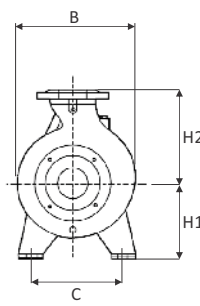
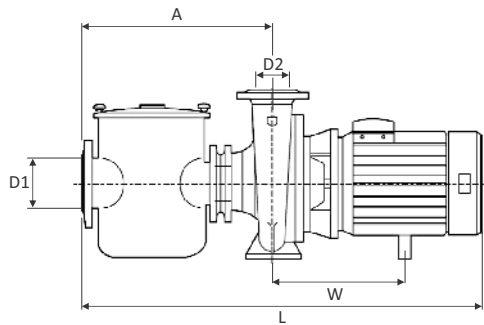
Pumps & Counter Current



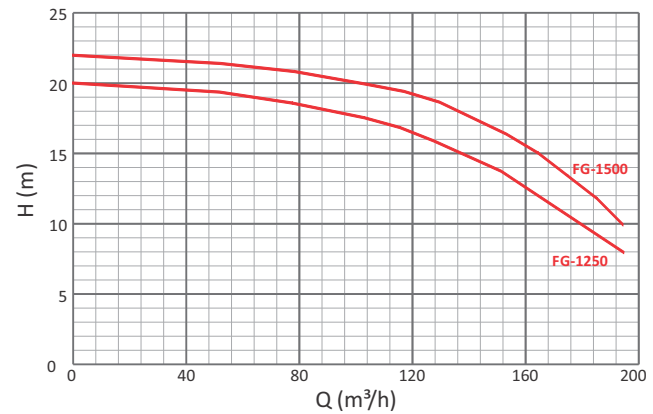
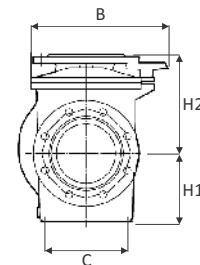
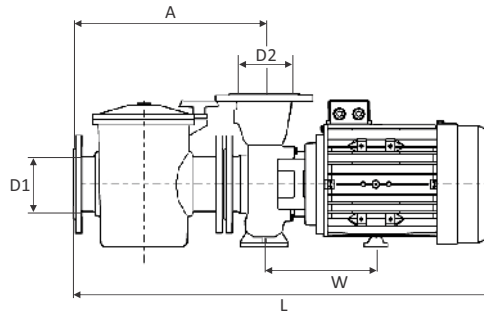
9- CENTRIFUGAL PUMP "FG"

- Electro-pumps with pre-filter for swimming pools and fountains.
- Pump body and pre-filter in cast iron.
- Impeller in stainless steel AISI-316.
- Shaft in stainless steel AISI-316.
- Mechanical seal in graphite/ceramic.
- Closed motor, with external ventilation.
- IP 55 protection, class F insulation and continuous operation
- Tension of mains feed at 230/400V at 50Hz (60Hz on demand).

FG-550/FG-750/FG-1000



FG-1250/FG-1500



CODE	DIMENSIONS								
	A	B	C	D1	D2	H1	H2	W	
FG-550	495	310	212	∅100	∅65	162.5	180	292	970
FG-750	495	310	212	∅100	∅65	162.5	180	310	995
FG-1000	495	310	212	∅100	∅65	162.5	180	310	995
FG-1250	489	322	187	∅125	∅125	160	236	262	990
FG-1500	489	322	187	∅125	∅125	160	236	275	1016

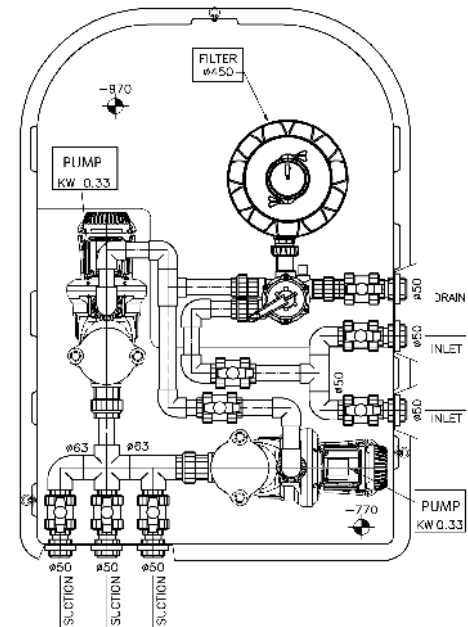
CODE	P1		V		A		P1 (kW)		PACKING WEIGHT VOLUME		
	KW	HP	50 HZ	50 HZ	230	400	230	400	kg	m³	
FG-550	4	5.5	230	400	14.4	8.3	4.7	4.7	1	100	0.17
FG-750	5.5	7.5	230	400	19.0	11.0	6.3	6.3	1	110	0.17
FG-1000	7.5	10	230	400	25.6	14.8	8.6	8.6	1	116	0.17
FG-1250	9.2	12.5		400		17.9		10.5	1		0.29
FG-1500	11	15		400		21		12.5	1		0.30

10- AQUA NEW PREASSEMBLED COMPLETE BUNKER ROOM



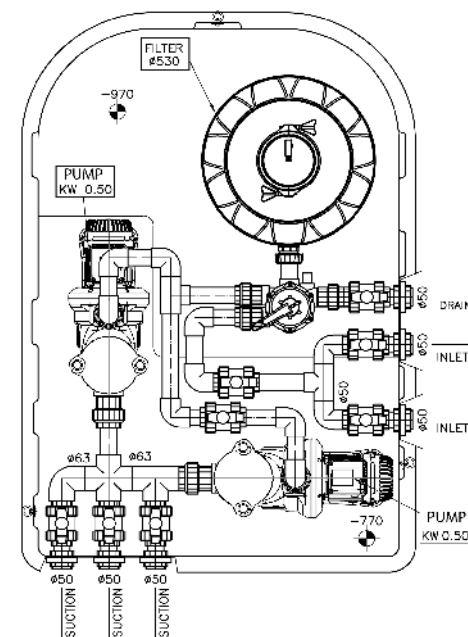
PACKAGE 1 - CODE:107100529D PRE ASSEMBLED UNDERGROUND PUMP ROOM FOR POOLS UP TO 6m³/HT

DESCRIPTION	QTY
BUNKER MADE IN REINFORCED FIBER GLASS WITH ALKABLE LID MADE IN 2 PIECES WITH HINGES DIMENSIONS: 1.2 x 1.75 x 1.1m	1
AQUARIUS SAND FILTER 450MM DIA. WITH 6 WAY MULTIPOINT VALVE 1.5"	1
FILTRATION SAND 0.4 -0.8 MM	50
FILTRATIO GRAVEL 3-5 MM	25
SELF PRIMING PUMP 0.5HP 1 PHASE	2
INJECTION POINTS	3
SUCTION POINTS	3
BUILT IN DRAINAGE SYSTEM	1
CONTROL PANEL	1
ELECTRICAL TRANSFORMER 300WATT	1
SET OF BALL VALVES, CHECK VALVES, PIPES, AND PVC FITTINGS	1
BACKWASH/DRAIN LINE	1

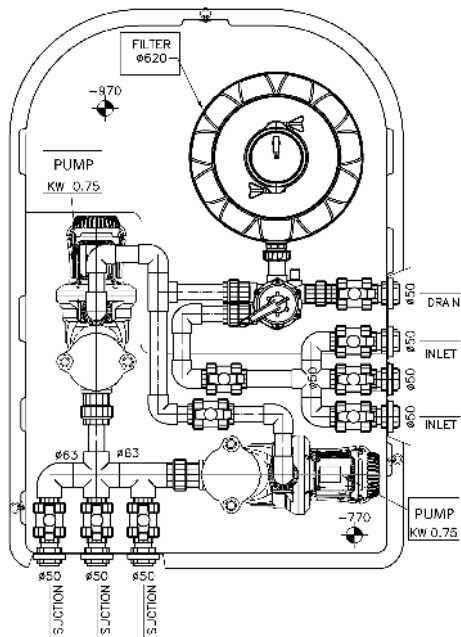


PACKAGE 2 - CODE:107100530D PRE ASSEMBLED UNDERGROUND PUMP ROOM FOR POOLS UP TO 10m³/HT

DESCRIPTION	QTY
BUNKER MADE IN REINFORCED FIBER GLASS WITH ALKABLE LID MADE IN 2 PIECES WITH HINGES DIMENSIONS:1.2 x 1.75 x 1.1m	1
AQUARIUS SAND FILTER 530MM DIA. WITH 6 WAY MULTIPOINT VALVE 1.5"	1
FILTRATION SAND 0.4 -0.8 MM	75
FILTRATIO GRAVEL 3-5 MM	25
SELF PRIMING PUMP 0.75HP 1 PHASE	2
INJECTION POINTS	3
SUCTION POINTS	3
BUILT IN DRAINAGE SYSTEM	1
CONTROL PANEL	1
ELECTRICAL TRANSFORMER 300WATT	2
SET OF BALL VALVES, CHECK VALVES, PIPES, AND PVC FITTINGS	1
BACKWASH/DRAIN LINE	1

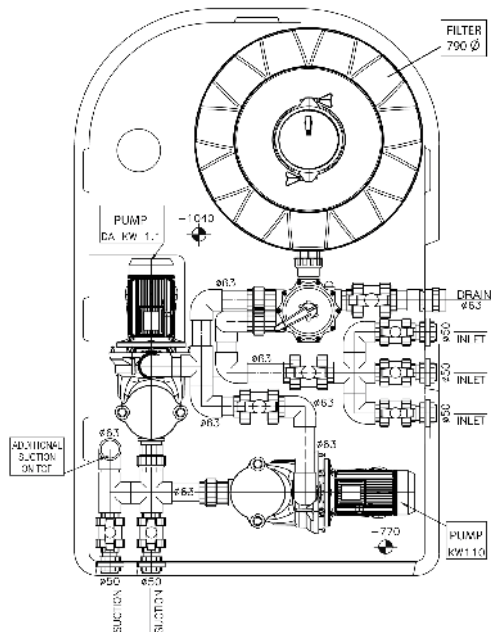


Pumps & Counter Current



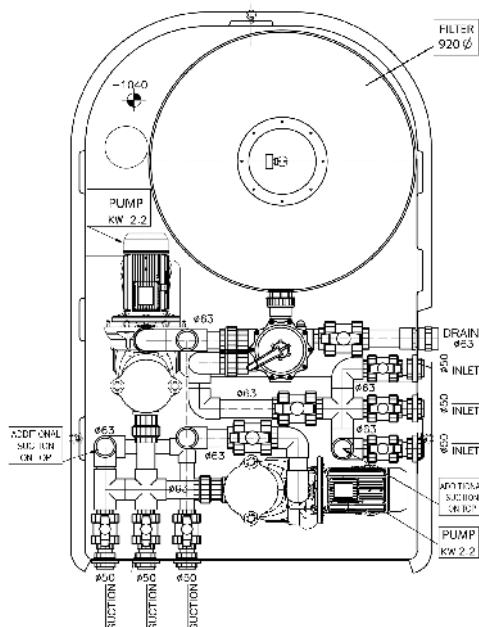
PACKAGE 3 - CODE:107100560D PRE ASSEMBLED UNDERGROUND PUMP ROOM FOR POOLS UP TO 14m³/HT

DESCRIPTION	QTY
BUNKER MADE IN REINFORCED FIBER GLASS WITH ALKABLE LID MADE IN 2 PIECES WITH HINGES DIMENSIONS: 1.2 x 1.75 x 1.1m	1
AQUARIUS SAND FILTER 620MM DIA. WITH 6 WAY MULTIPOST VALVE 1.5"	1
FILTRATION SAND 0.4 -0.8 MM	100
FILTRATIO GRAVEL 3-5 MM	50
SELF PRIMING PUMP 1.0HP 1 PHASE	2
INJECTION POINTS	3
SUCTION POINTS	3
BUILT IN DRAINAGE SYSTEM	1
CONTROL PANEL	1
ELECTRICAL TRANSFORMER 300WATT	2
SET OF BALL VALVES, CHECK VALVES, PIPES, AND PVC FITTINGS	1
BACKWASH/DRAIN LINE	1



PACKAGE 4 - CODE:107100527D PRE ASSEMBLED UNDERGROUND PUMP ROOM FOR POOLS UP TO 22m³/HT

DESCRIPTION	QTY
BUNKER MADE IN REINFORCED FIBER GLASS WITH ALKABLE LID MADE IN 2 PIECES WITH HINGES DIMENSIONS: 1.2 x 1.75 x 1.1m	1
AQUARIUS SAND FILTER 790MM DIA. WITH 6 WAY MULTIPOST VALVE 2"	1
FILTRATION SAND 0.4 -0.8 MM	200
FILTRATIO GRAVEL 3-5 MM	100
SELF PRIMING PUMP 1.50HP 1 PHASE	2
INJECTION POINTS	3
SUCTION POINTS	3
BUILT IN DRAINAGE SYSTEM	1
CONTROL PANEL	1
ELECTRICAL TRANSFORMER 300WATT	4
SET OF BALL VALVES, CHECK VALVES, PIPES, AND PVC FITTINGS	1
BACKWASH/DRAIN LINE	1



PACKAGE 5 - CODE:107100578D PRE ASSEMBLED UNDERGROUND PUMP ROOM FOR POOLS UP TO 30m³/HT

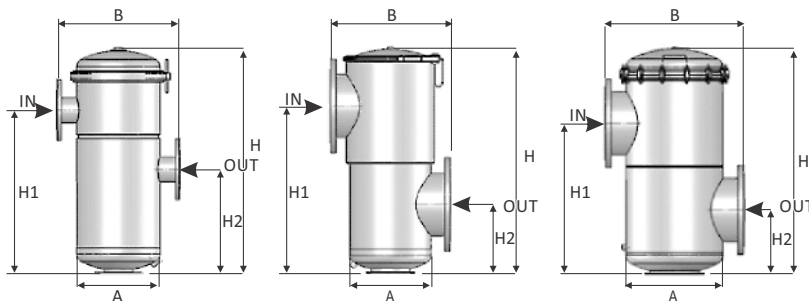
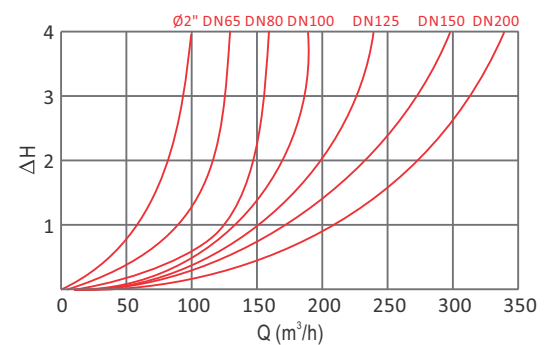
DESCRIPTION	QTY
BUNKER MADE IN REINFORCED FIBER GLASS WITH ALKABLE LID MADE IN 2 PIECES WITH HINGES DIMENSIONS: 1.3 x 2 x 1.2 m	1
OCEAN SAND FILTER 900MM DIA. WITH 6 WAY MULTIPOST VALVE 2"	1
FILTRATION SAND 0.4 -0.8 MM	300
FILTRATIO GRAVEL 3-5 MM	100
SELF PRIMING PUMP 2.0HP 1 PHASE	2
INJECTION POINTS	3
SUCTION POINTS	3
BUILT IN DRAINAGE SYSTEM	1
CONTROL PANEL	1
ELECTRICAL TRANSFORMER 300WATT	6
SET OF BALL VALVES, CHECK VALVES, PIPES, AND PVC FITTINGS	1
BACKWASH/DRAIN LINE	1

11- STAINLESS STEEL PREFILTERS

- Made entirely of Stainless Steel 304 or 316.
- Stainless steel basket with 6mm standard perforation.
- AP models working pressure 8 ATE.
- Other models working pressure 3 ATE.
- Comes with pressure gauge on top.
- Lid is tightened by a simple and reliable clamp for closure.
- Plexiglas transparent lid can be supplied on demand.
- Prefilter can be electro polished externally and/or internally on request.



Load Losses



CODE	CONNECTIONS		PRESSURE ATE	OUTER CASING DIMENSIONS					INSIDE BASKET DIMENSIONS			BASKET CAPACITY m³/h	PACKING WEIGHT kg	VOLUME m³
	INLET/ OUTLET	DRAIN OUTLET		A	B	H	H1	H2	Ø	h	hole			
PF-250304-DN50 TF	DN 50	1/2"	3	250	375	685	495	315	220	330	6 mm.	80	1	16.0
PF-250316-DN50 TF	DN 50	1/2"	3	250	375	685	495	315	220	330	6 mm.	80	1.	16.0
PF-250304-DN65 TF	DN 65	1/2"	3	250	375	685	495	315	220	330	6 mm.	100	1	16.2
PF-250316-DN65 TF	DN 65	1/2"	3	250	375	685	495	315	220	330	6 mm.	100	1	16.2
PF-292304-80 TF	DN 80	1/2"	3	292	450	700	565	290	250	330	6 mm.	130	1	21.5
PF-292316-80 TF	DN 80	1/2"	3	292	450	700	565	290	250	330	6 mm.	130	1	21.5
PF-292304-100 TF	DN 100	1/2"	3	292	450	700	565	290	250	330	6 mm.	160	1	21.6
PF-292316-100 TF	DN 100	1/2"	3	292	450	700	565	290	250	330	6 mm.	160	1	21.6
PF-292304-125 TF	DN 125	1/2"	3	292	450	700	565	290	250	330	6 mm.	180	1	23.0
PF-292316-125 TF	DN 125	1/2"	3	292	450	700	565	290	250	330	6 mm.	180	1	23.0
PF-350304-150 TF	DN 150	1/2"	3	350	520	822	600	300	320	400	6 mm.	200	1	31.0
PF-350316-150 TF	DN 150	1/2"	3	350	520	822	600	300	320	400	6 mm.	200	1	31.0
PF-350304-200 TF	DN 200	1/2"	3	350	520	822	600	300	320	400	6 mm.	220	1	31.6
PF-350316-200 TF	DN 200	1/2"	3	350	520	822	600	300	320	400	6 mm.	220	1	31.6

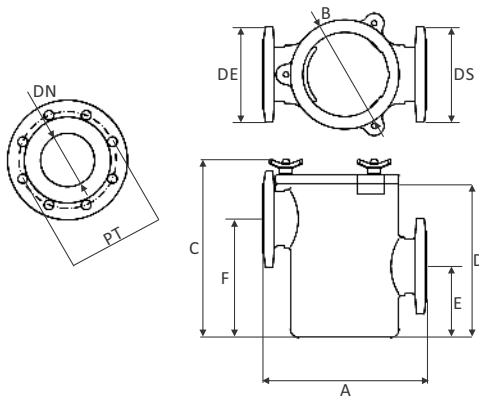
For plexiglass transparent lid, please indicate "PG" at the end of the code Exp: PF-292316-125TF-PG.
All the described data may undergo changes.

Pumps & Counter Current



12- CAST IRON PRE FILTER

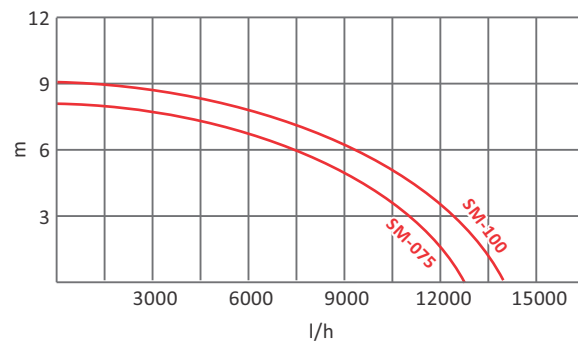
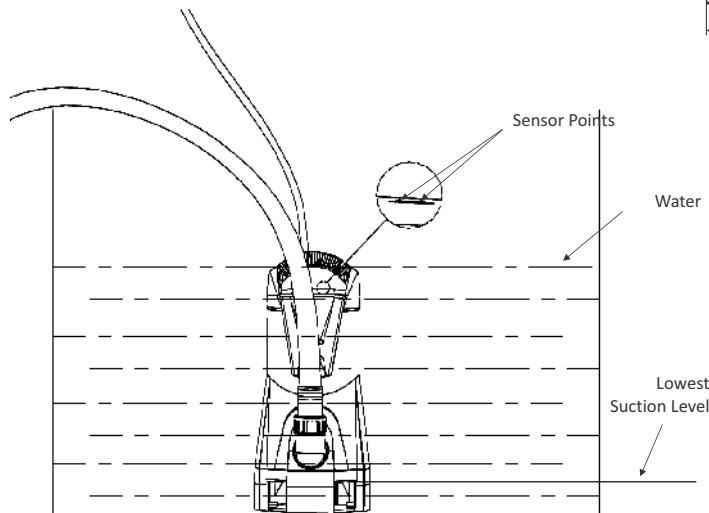
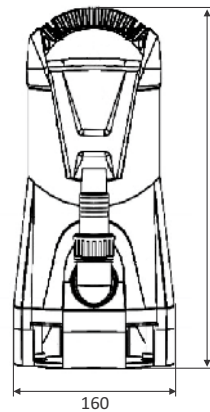
- Pot and pre-filter in cast iron
- Strainer in stainless steel AISI-316
- Inlet and outlet clamps according to DIN 2501 with connections from dn-65 (2½") to 200 (8") with 3 closing handles in AISI-316 (depending on model) for a perfect lid seal.



CODE	DIMENSIONS										PACKING WEIGHT VOLUME		
	DN	PT	A	B	C	D	E	F	DE	DS	kg	lts	
F 65/65	65	145	380	260	415	360	120	250	185	185	1	38.5	18
F 80/80	80	160	380	260	415	360	120	250	200	200	1	39	18
F 100/100	100	180	380	260	415	360	155	270	220	220	1	40.5	18
F 125/125	125	210	380	260	415	360	155	270	250	250	1	41	18
F 150/150	150	240	460	340	555	500	190	380	285	285	1	71	42
F 200/200	200	295	460	340	555	500	190	380	340	340	1	72	42

13- SUBMERSIBLE PUMP

- Submersible centrifugal pump for discontinual use, perfect for use in mechanical rooms and emptying of swimming pools.
- Corrosion-resistant motor casting and shaft.
- Glass-filled thermoplastic impeller and motor cover.
- Built-in auto water level control.
- Impeller :PA6 - IP x8.
- Pump and motor housing: PP.
- Stator casing: Aluminum-base alloy.
- Shaft in stainless steel 316.
- Seal in ceramics/graphite and stainless steel.
- Cable length: 10 meters.
- Voltage: 230V and 50Hz (60Hz on demand).



CODE	POWER		MAX. PUMP RATE l/h	MAX. HEIGHT m	MAX. DEPTH m	MAX. GRAIN SIZE mm	DIA. OF PIPE	PACKING WEIGHT VOLUME		
	KW	HP						kg	m ³	
SM-075	0.75	1	12500	8	7	35	1" - 1¼" - 1½"	1	5.5	0.08
SM-100	1	1.5	14000	8.5	7	35	1" - 1¼" - 1½"	1	6	0.08

14- COMPLETE FILTRATION SYSTEM

Trolley filtration system assembled with :

- 1HP pump single phase.
- Cartridge filter 17 mc, with bronze check valve and differential switch.
- 25m electric cable.
- 230V - 50Hz (60Hz on demand).

CODE	PACKING WEIGHT VOLUME		
	kg	m ³	
100100404	1	35	0.4

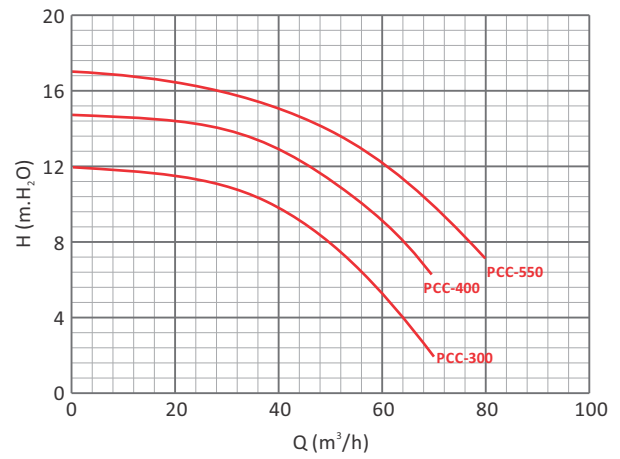
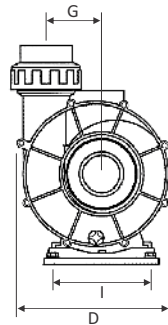
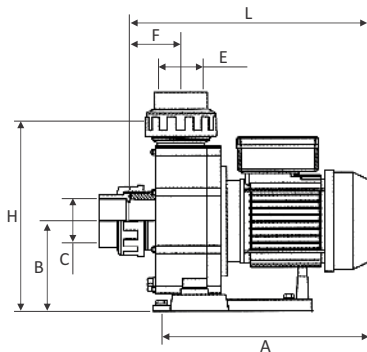


Pumps & Counter Current



15- COUNTER CURRENT PUMP "PCC" 2900 r.p.m.

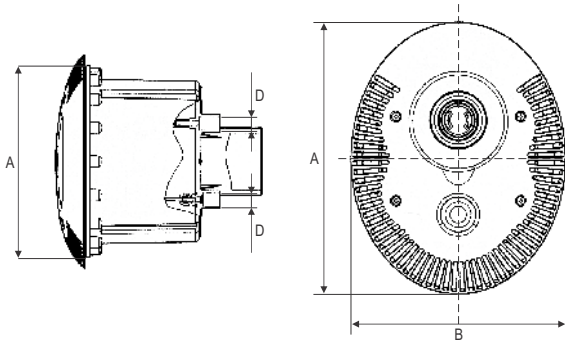
- High-flow centrifugal pump.
- Pump body of polypropylene reinforced by fiberglass, resistant to pool chemicals to provide excellent durability.
- Turbine of Noryl.
- Stainless steel shaft AISI-316.
- Single-phase 3 HP motors or three-phase 3 HP, 4 HP or 5.5 HP motors, all with IP-55 protection.
- Frequency: 50 Hz (60Hz on demand).



CODE	POWER		DIMENSIONS									PACKINGWEIGHT VOLUME			
	KW	HP	A	B	C	D	E	F	G	H	I	L	kg	m ³	
PCC-300-M	2.2	3	370	156	Ø75	260	Ø75	77	95	319	168/117	420	1	20.8	0.055
PCC-300-T	2.2	3	370	156	Ø75	260	Ø75	77	95	319	168/117	420	1	20.8	0.055
PCC-400-T	3	4	410	156	Ø75	260	Ø75	77	95	319	168/117	450	1	23	0.055
PCC-550-T	4	5.5	440	156	Ø75	260	Ø75	77	95	319	168/177	485	1	25	0.056

16- COUNTER CURRENT NOZZLE

- Nozzle made entirely of white ABS, totally unalterable by UV rays and the harsh chemicals generally used in swimming pools.
- Built-in pneumatic pushbutton to operate relay of the pump's control box.
- Directional jet, venturi outlet, connections.



CODE	POOL	DIMENSIONS				PACKING	WEIGHT kg	VOLUME m ³
		A	B	C	D			
CC-033	Concrete	390	310	278	20.5	1	2.5	0.047
CC-035	Liner	390	310	278	20.5	1	2.5	0.047

17- CONTROL PANEL

- Housed in a clear watertight box with pneumatic electro-pushbutton to ensure complete safety when operating the pump from the water.
- Necessary electrical protection included.



CODE	PHASE	PACKING	WEIGHT	VOLUME
			kg	m ³
CCP-010-M	Single	1	1.36	0.01
CCP-010-T	Three	1	1.36	0.01

Pumps & Counter Current



18- ELECTRICAL CONTROL BOX FOR T CONTROL

- New range of electronic box with synoptic front for management and control of following: filtration – lights – disinfection - overflow level probe - JET SPA - air blowers – heater - heating cooling unit and charge of H2O
- T control has been designed for making easy the management of your pool.
- It allows to control switch on and switch off the system manually or by timer.
- Moreover, it has an innovative automatic function able to regulate daily the cycles of filtration on the base of water temperature without need of any operation from your side.
- Protection IP65 in according with legislation.

CODE	APPLICATION	POWER	TYPE
ETCB001	Pool	Single	Skimmer
ETCB002	Pool	Single	Overflow
ETCB003	Pool	Three phase	Skimmer
ETCB004	Pool	Three phase	Overflow
ETCB005	Spa	Single	Skimmer
ETCB006	Spa	Single	Overflow
ETCB007	Spa	Three phase	Skimmer
ETCB008	Spa	/Three phase	Overflow
ETCB009	Heater or Heat/Cool pump	Single	
ETCB010	Heater or Heat/Cool pump	Three phase	
ETCB011	Heater or Heat/Cool pump	Single	
ETCB012	Heater or Heat/Cool pump	Three phase	

	ETCB001	ETCB002	ETCB003	ETCB004	ETCB005	ETCB006	ETCB007	ETCB008	ETCB009	ETCB010	ETCB011	ETCB012
2 CIRCULATION PUMP UP TO 2.2KW (1 STAND BY 1 DUTY) 1 PHASE	YES	YES			YES	YES						
2 CIRCULATION PUMP UP TO 2.2KW (1 STAND BY 1 DUTY) 3 PHASE			YES	YES			YES	YES				
UP TO 6 LIGHT 300WATT EACH	YES	YES	YES	YES								
UP TO 4 LIGHT 50WATT EACH					YES	YES	YES	YES				
1 DISINFECTION UP TO 500WATT	YES	YES	YES	YES	YES	YES	YES	YES				
3 LEVEL PROBE (LOW, MEDIUM, HIGH)		YES		YES		YES		YES				
2 JETS PUMP UP TO 2.2KW 1 PHASE					YES	YES						
2 JETS PUMP UP TO 2.2KW 3 PHASE							YES	YES				
2 AIR BLOWER UP TO 1.6KW 1 PHASE					YES	YES						
2 AIR BLOWER UP TO 1.6KW 3 PHASE							YES	YES				
HEATER OR HEAT/COOL PUMP UP TO 12KW 1 PHASE									YES			
HEATER OR HEAT/COOL PUMP UP TO 12KW 3 PHASE										YES		
HEATER OR HEAT/COOL PUMP UP TO 24KW 1 PHASE											YES	
HEATER OR HEAT/COOL PUMP UP TO 24KW 3 PHASE												YES

