

Group SFA

INSTALL SANITARY AND EXTRA UTILITY FACILITIES ANYWHERE YOU WANT WITHOUT MAJOR WORK



MULTI-USE RANGE: ADD WC, COMPLETE BATHROOM, EQUIPPED KITCHEN OR PROFESSIONAL LAUNDRY FROM THE BASEMENT TO THE ROOF

— WC with or without wash basin —

	
SANITOP®	SANICOMPACT® 43

— Complete bathroom/ Kitchen —




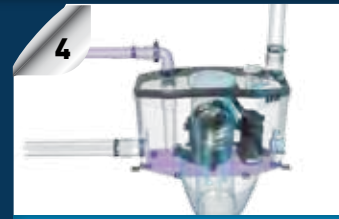
	
SANIPRO® XR	SANIVITE®

— Air conditioning/ Boiler —


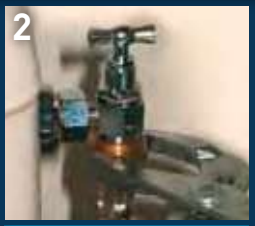

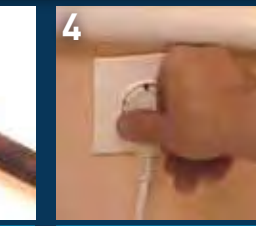
	
SANICONDENS® Clim mini	SANICONDENS® Pro

Practical: SFA macerators or pumps evacuate waste water through small diameter pipe

OPERATING PRINCIPLE OF THE SFA MACERATING SYSTEM

 <p>1</p>	 <p>2</p>	 <p>3</p>	 <p>4</p>
<p>The toilet is flushed, the water level rises and the Saniflo grinder motor turns on automatically.</p>	<p>The blades driven by the motor grind the contents into tiny particles in 3 or 4 seconds.</p>	<p>The finely ground particles are pumped out through a standard pipe just 22 or 28 or 32mm in diameter.</p>	<p>The macerating tank is now empty (apart from the water seal) and the system is ready for use again.</p>

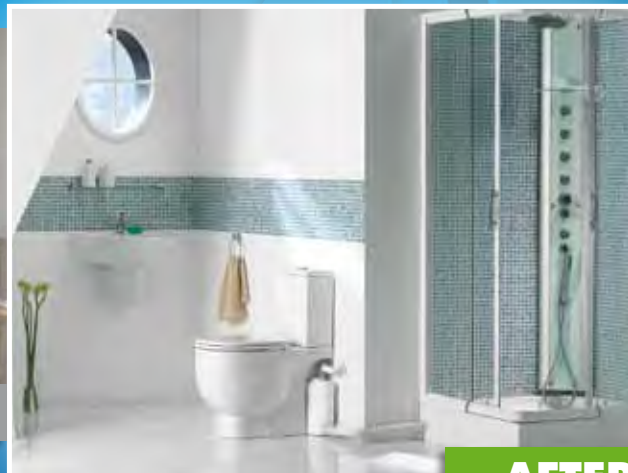
SMART, EASY & FAST INSTALLATION

<p>It is sometimes difficult, if not impossible, to install a sanitary where you want. Main sewage evacuation is too far? The installation is below sewer level? With SFA, no more worries! The evacuation may be vertical and / or horizontal (in diam. 22 to 32).</p>	 <p>1</p> <p>SFA macerator fits over the outlet of a traditional toilet ceramic.</p>	 <p>2</p> <p>Connect your toilet to the hose cold water supply.</p>	 <p>3</p> <p>Connect the macerator discharge elbow to your pipe (PVC or copper) and connect it to the main sewer.</p>	 <p>4</p> <p>Finally, connect SFA macerator to a power supply 220 V with earth.</p>
---	--	---	--	---

BEFORE



BATHROOM

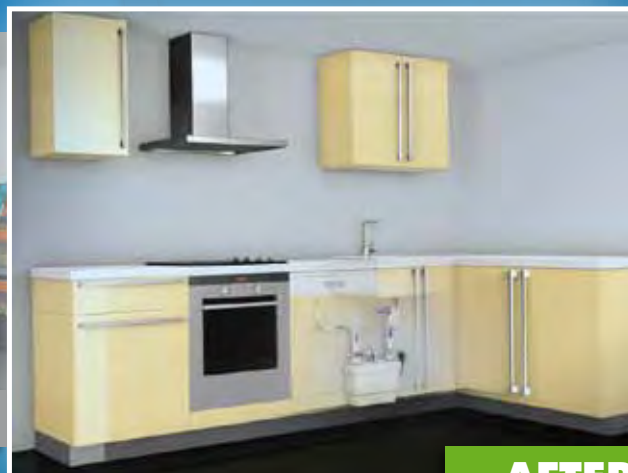


AFTER

BEFORE



KITCHEN



AFTER