

DYNAFLO® 6220 / 6230
Model Numbers: 62201, 62203 & 62303

DEPEND ON
DAVEY



Also available in 230 volt single phase 60Hz, 380 volt three phase 60Hz and 230/460 volt three phase 60Hz versions.

TRANSFER PUMPS

PRODUCT DESCRIPTION

Rugged economical single stage centrifugal pumps, designed for total heads to 41m and flows to 460 lpm.

APPLICATIONS

- Water supply
- Water transfer
- Hosing down - dairies, factory floors etc
- Tank filling
- Sprinkler supply
- Garden reticulation

FEATURES & BENEFITS

Every pump is performance and pressure tested in our factory to ensure quality and reliability.

Cast iron pump casing with baked polyester finish inside & outside for long life.

O-ring sealed hand tightened priming plugs for easy operation.

Proven, robust pump design for long life.

Davey manufactured motor with IP56-TEFC, 2 pole motor is corrosion resistant for long term protection against vermin, dust and water.

Motor and pump are designed for frequent starts providing a long and reliable working life.

In-built thermal overload protection with automatic reset in all single phase models for long term motor protection.

Double contact seal, C3, high temperature greased bearings for long life and smooth running.

2m power lead with 15amp Australian three pin plug fitted to all single phase models.

Single phase 62201S model is suitable for both 220-240 volt and 440-480 volt single phase supply.

Corrosion resistant motor mounting feet for long life.

OPERATING LIMITS

	6220	6230
Capacities to	360lpm	460lpm
Maximum total head	38.7m	41.2m
Maximum suction head		7.0m
Maximum Water Temperature		50°C
Minimum Water Temperature		1°C
Inlet size		2" BSP(F)
Outlet size		1 1/2" BSP(F)
Maximum Casing Pressure		105m

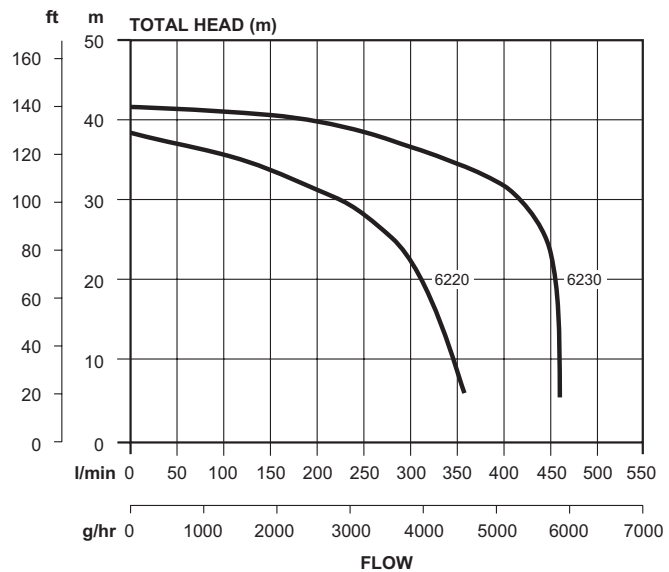


TECHNICAL SPECIFICATIONS

MATERIALS OF CONSTRUCTION

PART	MATERIAL
Impellers	Glass filled polycarbonate
Pump casing	Cast iron
Seal ring (stationary)	Ceramic
Seal ring (rotating)	Carbon
Seal elastomer	Nitrile rubber
Pump orings	Nitrile rubber
Motor shell	Aluminium
Pump casing/shell finish	Baked polyester
Motor mounting feet	Xenoy® plastic
Motor through bolts	304SS with brass nuts
Motor fan	Polypropylene

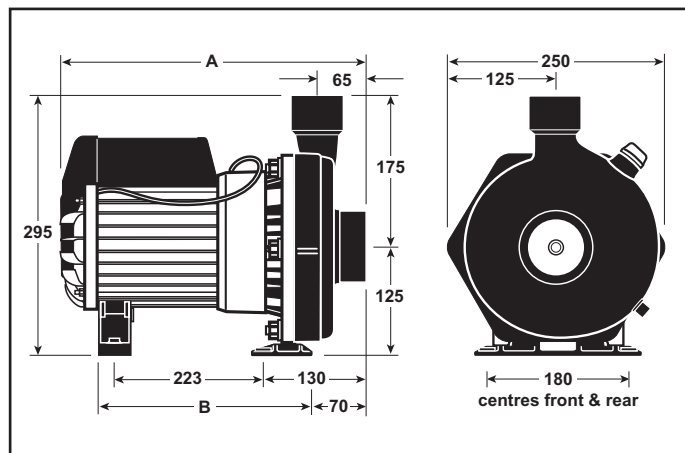
HYDRAULIC PERFORMANCE



ELECTRICAL DATA

	6220		6230	
Phase/50Hz	Single	Three	Three	Three
Supply voltage	220-240	440-480	380-415	380-415
Full load current	14 Amps	7 Amps	4.7 Amps	6.3 Amps
Locked rotor current	54 Amps	27 Amps	24 Amps	47 Amps
Output power	2.4 kW		3.0 kW	
Input power	3.2	2.8	3.9	
Insulation class	Class F			
Starting	P.S.C.		N/A	
IP Rating	IP56			

DIMENSIONS



Model	A	B	Mounting Holes Dia.	Inlet B.S.P.	Outlet B.S.P.	Net Weight (kg)
6220 1Ø	415	280	10	2" F	1 1/2" F	32
6220 3Ø	385	250	10	2" F	1 1/2" F	28.5
6230 3Ø	445	310	10	2" F	1 1/2" F	33

All dimensions in mm unless otherwise stated.

INSTALLATION & PRIMING

- Installation with suction lift require a good quality foot valve to avoid loss of prime.
- To prime, fill pump body and suction line through priming plug hole located above suction inlet and replace plug.

This literature is not a complete guide to product usage. Further information is available from your Davey dealer, Davey Customer Service Centre and from the relevant product Installation and Operating Instructions. This data sheet must be read in conjunction with the relevant product Installation and Operating Instructions and all applicable statutory requirements. Product specifications may change without notice. © Davey and Dynaflo are registered trademarks of Davey Products Pty Ltd. © Davey Products Pty Ltd 2000.



Visit Davey Pumps on-line for further information
www.davey.com.au

DEPEND ON
DAVEY

Davey Products Pty Ltd

Member of the GUD Holdings Ltd Group
ABN 18 066 327 517
Head Office and Manufacturing
 6 Lakeview Drive,
 Scoresby, Australia 3179
 Ph: +61 3 9730 9222
 Fax: +61 3 9753 4100
 Website: www.davey.com.au
Customer Service Centre
 Ph: 1300 367 866
 Fax: 1300 369 119
 E-mail: sales@davey.com.au
Interstate Offices
 Sydney - Brisbane - Adelaide
 Perth - Townsville

International

6 Lakeview Drive,
 Scoresby, Australia 3179
 Ph: +61 3 9730 9121
 Fax: +61 3 9753 4248
 E-mail: export@davey.com.au

Germany

Kantstrasse 47,
 04275 Leipzig
 Ph: +49 341 301 0412
 Fax: +49 341 301 0413
 E-mail: akrenz@daveyeurope.com

New Zealand

2 Rothwell Avenue,
 North Harbour, Auckland 1330
 Ph: +64 9 914 3680
 Fax: +64 9 914 3685
 Website: www.daveynz.co.nz
 E-mail: sales@daveynz.co.nz

USA

Davey Pumps Inc.
 1005 N. Commons Drive
 Aurora, Illinois 60504
 Ph: +1 630 898 6976
 Fax: +1 630 851 7744
 Website: www.daveyusa.com
 E-mail: sales@daveyusa.com