



Vertical Mixed-Flow Pump

Type VY-VZ

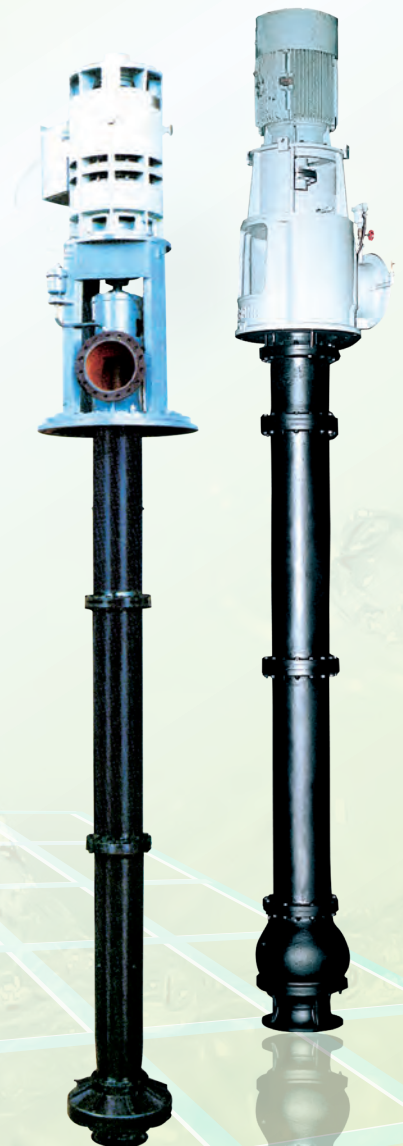
Bore : 350mm-1500mm

APPLICATIONS

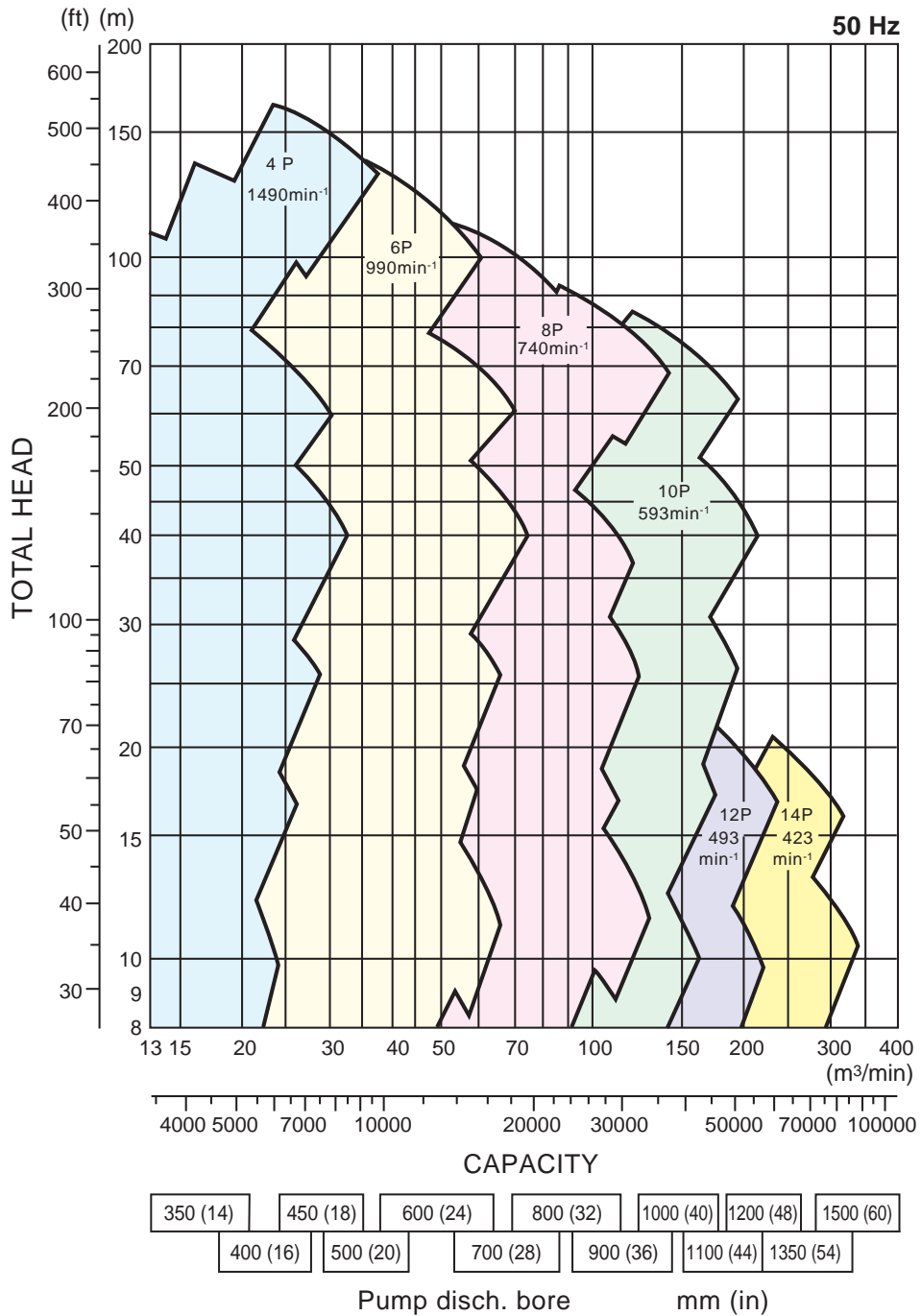
- River water intake/Raw water intake/Water supply
- Intake and supply for seawater
- City water and industrial water supply and circulate

FEATURES

- Large variety of option to meet all customer requirements.
- Over 100-meter-head per single stage.
- Welded guide casing is also available.
- Dry bearings not requiring external flushing are also available.
- Guaranteed high performance, quality and prompt delivery.
- And the following advantages, typical of vertical mixed-flow pumps :
 - Smaller installation space than that of horizontal pumps.
 - Submerged impeller dispenses with the need for priming and follows pumping up of water from deep sources.

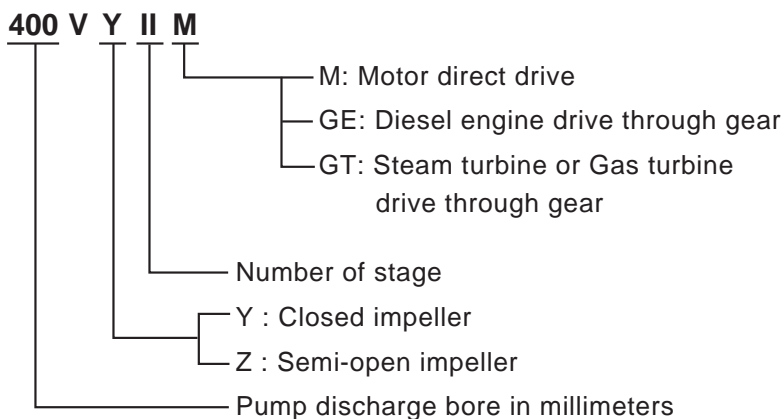


PERFORMANCE CHART



* Pump ratings not in the chart are also applicable.

PUMP MODEL NAME



SPECIFICATIONS

Liquid handled		River water, city water industries, seawater
Temperature		0~90°C
Construction	Impeller	VY Type : closed VZ Type : semi-open
	Shaft sealing	Gland packing
	Bearing	Upper section : Ball bearings (Oil bath) Intermediate and lower sections : Bearing metal (graphite, ceramic, teflon rubber)
Materials	Casing	FC200/SCS14
	Impeller	CAC406/SCS13/SCS14
	Shaft	SUS420J ₁ /SUS316
Flange		JIS 10K/JIS 16K

CONSTRUCTION

	Standard	Option
Pump (installation) type	One-floor surface discharge type	Two-flow type; underground discharge type; pull-out type (Model VYN-VZN); pit-barrel type (Model VYB)
Direction of rotation	CW (viewed from driver)	-
Disch. Flange	JIS 10K F.F.	Any standard
Thrust bearing	Oil-bath anti-friction bearing	-
	Located in motor for large horse power	Located in pump
Submerged bearing	Rubber bearing	Dry bearing not requiring external flushing at startup or shutdown.
Shaft seal	Gland packing	Mechanical seal
Accessories	Pump base; coupling; drain piping; anchor bolts	Rubber bearing lubrication system; suction strainer; auto air vent valve; compound gauge; tools; touch-up paint; etc.

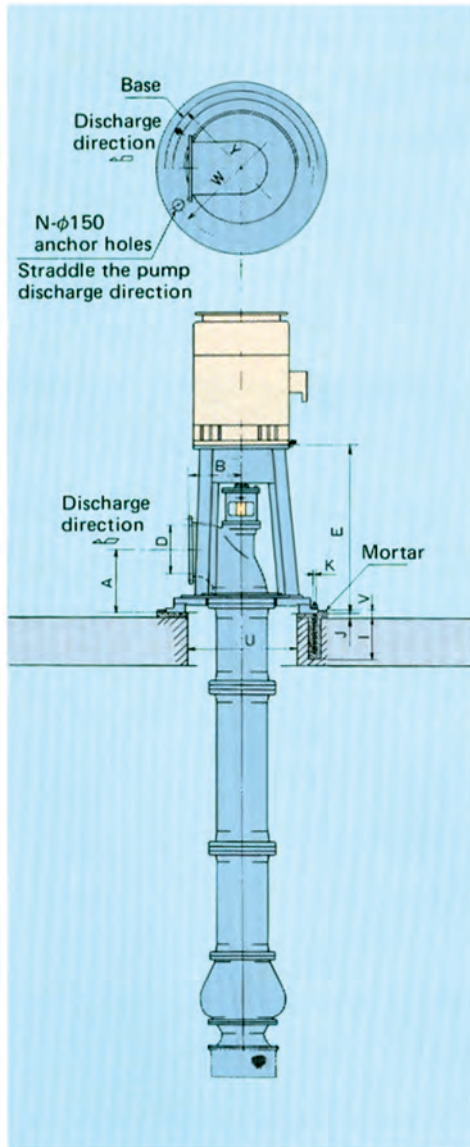
MATERIALS *(Typical Material Combinations)*

	Fresh water	River water	Sewage	Sea water
Casing	Cast Iron / Rolled Steel	Cast Iron / Rolled Steel	Cast Iron / Rolled Steel	Low Alloy C.I. Ni-resist D2 316 S.S.
Impeller	Bronze	Bronze / 304 S.S.	Bronze / 304 S.S.	316 S.S.
Shaft	Carbon Steel	Carbon Steel	420 S.S.	316 S.S.
Shaft sleeve	304 S.S.	304 S.S.	304 S.S.	316 S.S.
Shaft enclosing tube	Carbon Steel	Carbon Steel	304 S.S.	316L S.S.
Pump base	Cast Iron			
Driver pedestal	Rolled Steel			

- Other materials such as Nickel aluminium bronze, Duplex stainless steel, Monel, Alloy 20, etc. can also be applied.
- Selection of material requires careful study of the properties of the liquid handled and of the operating conditions, etc. For specific details, please consult our factory.

DIMENSION

Unit : mm



Discharge Bore D (in)	A	B	E	I	J	K	V	U	W	Y	N
350 (14)	445	400	1500	430	25	22	55	750	1100	1150	4
400 (16)	495	450	1600	500	30	24	60	850	1200	1260	4
450 (18)	550	500	1800	500	30	24	60	950	1300	1360	6
500 (20)	600	550	1900	500	30	24	60	1050	1400	1460	6
600 (24)	725	650	2300	630	40	30	90	1150	1500	1570	6
700 (28)	830	750	2400	630	40	30	90	1350	1700	1770	8
800 (32)	930	850	2500	630	40	30	90	1500	1850	1920	8
900 (36)	1040	950	2700	630	40	30	90	1700	2050	2120	8
1000 (40)	1150	1050	2800	800	50	36	100	1850	2200	2280	8
1100 (44)	1255	1150	3000	800	50	36	100	1950	2300	2380	8
1200 (48)	1355	1250	3100	800	50	36	100	2050	2400	2480	8
1350 (54)	1510	1400	3300	800	50	36	100	2150	2500	2580	12
1500 (60)	1660	1550	3500	800	50	36	100	2350	2700	2780	12

(Notes)

- Dimensions may differ depending on service conditions.
- For over 70m (230ft) rated head, please consult our factory.

* Dimensional details are provided for reference only.
 * All specifications are subject to change without prior notice.



EBARA Pumps Malaysia Sdn Bhd
 6, Jalan TP3, UEP Subang Jaya Industrial Park,
 47620 Subang Jaya, Selangor, Malaysia.
 Tel : 03-8023 6622 Fax : 03-8023 9355
 Email : sales@ebara.com.my
 Website : www.ebara.com.my



Authorised dealer: