

**S.H.W.**®

# SAKURA

## FLOOR DRAIN SERIES

NEW ECONOMICAL FLOOR DRAIN

**STAINLESS STEEL (SS304) TOP & STRONG ABS CORE**

(SS316 is available.)

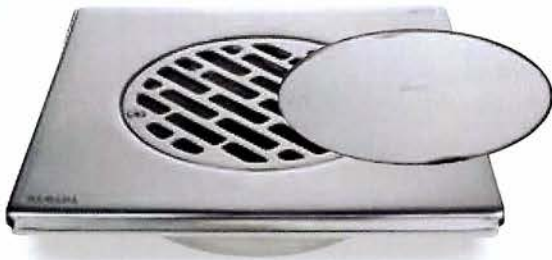
"SAKURA" is Japanese traditional beautiful flower which is loved by all. Our "SAKURA" series FLOOR DRAIN comes from this SAKURA. They are beautiful, strong and light.



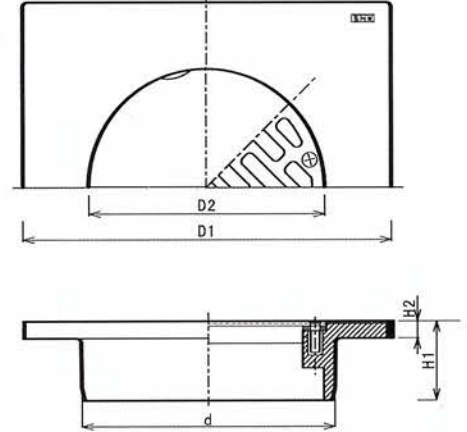
## H-514-WT-PF-SS-ABS

Dimensions. (mm)

	d	D1	D2	H1	H2
150sq x 100	103	150	96	32	7
200sq x 100	103	200	96	32	7
200sq x 150	143	200	137	36	7



FLOOR DRAIN



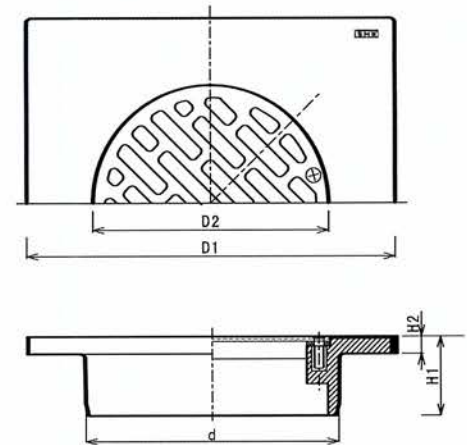
## H-397-PF-SS-ABS

Dimensions. (mm)

	d	D1	D2	H1	H2
150sq x 100	103	150	96	32	7
200sq x 100	103	200	96	32	7
200sq x 150	143	200	137	36	7



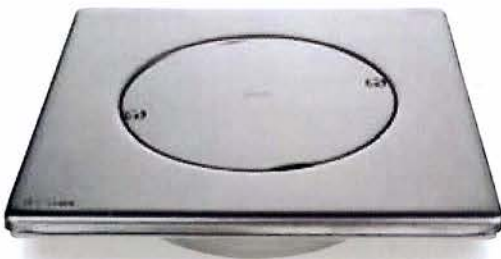
GRATING



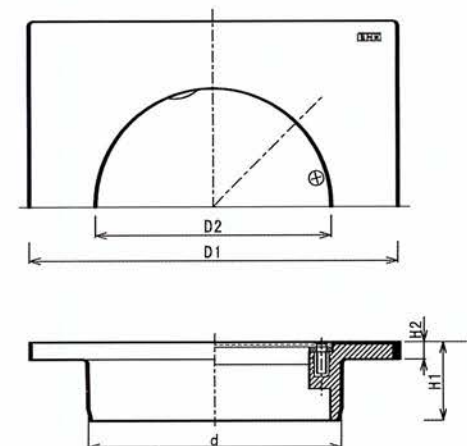
## H-512-PF-SS-ABS

Dimensions. (mm)

	d	D1	D2	H1	H2
150sq x 100	103	150	96	32	7
200sq x 100	103	200	96	32	7
200sq x 150	143	200	137	36	7



CLEANOUT



# FEATURES of "SAKURA" series

## Advantage Part1

"SAKURA" series are produced by HAMADA and the quality is completely same as HAMADA "Traditional Floor Drain" series.



## Advantage Part2

"SAKURA" series are designed and produced very precisely. The loose cover of H-514-WT-PF-SS-ABS fits neatly into the base.



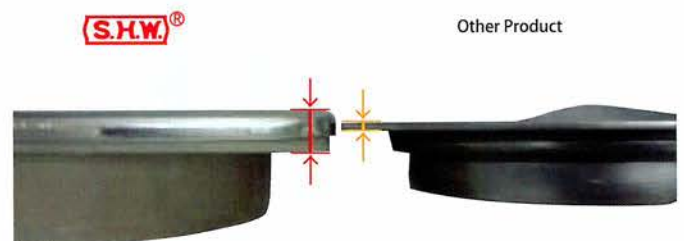
## Advantage Part3

All the thread parts of SAKURA series are covered with plastic core body and never touch the wasted water. Therefore, the wasted water runs smoothly and all the screws will not get rusted. Any slurry will not tangle in the floor drain, either. It is hygienically designed.



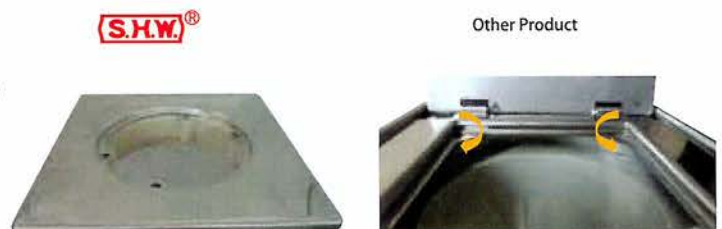
## Advantage Part4

SHW "SAKURA" series is composed with 2mm thick SS plate and ABS plastic, therefore, is strong enough to withstand the load.



## Advantage Part5

SHW "SAKURA" series does not have any cavities, therefore, is very hygienical.



## Advantage Part6

SHW "SAKURA" series has the widest drainage area and provides big flow rate.





**HAMADA MFG. CO.,LTD.**

**OSAKA,JAPAN**

**<http://www.s-h-w.net>**